

3. Squawker Box

3-1. Cutting plan

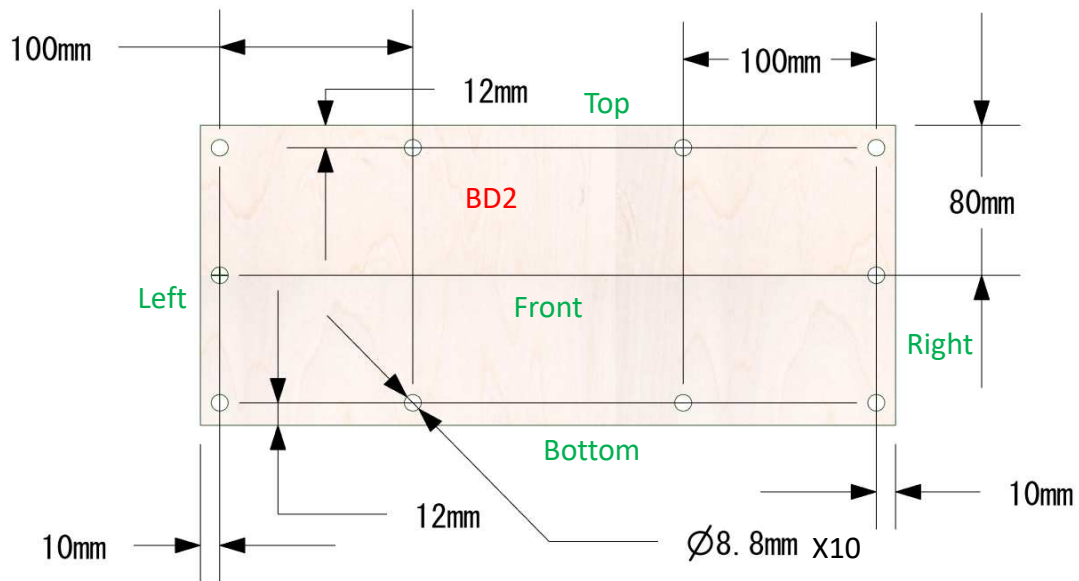


Cutting plan: Squawker Box

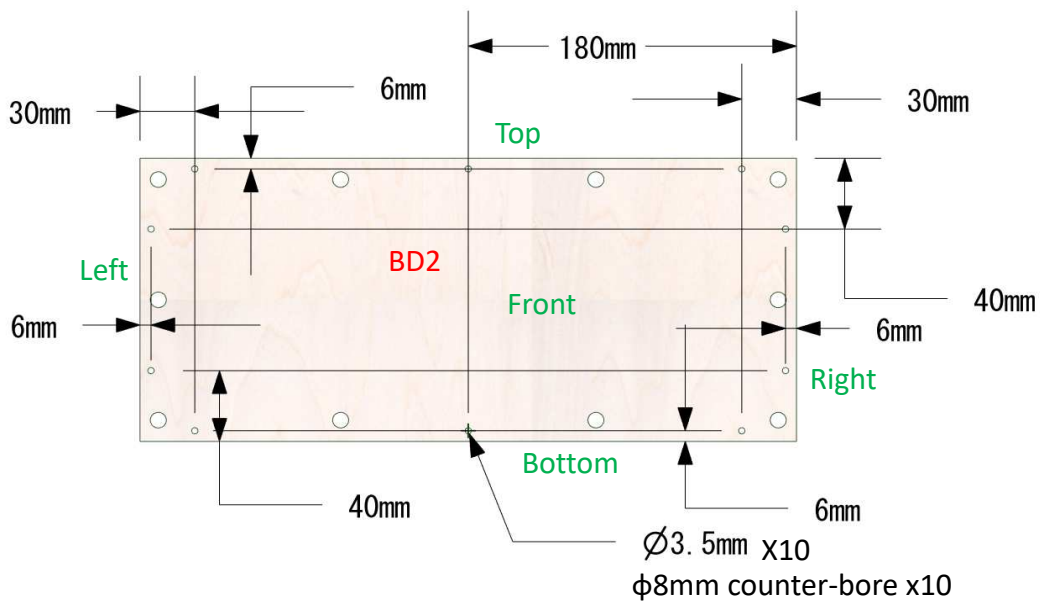
L-ch only

3-2. BD2: Front panel

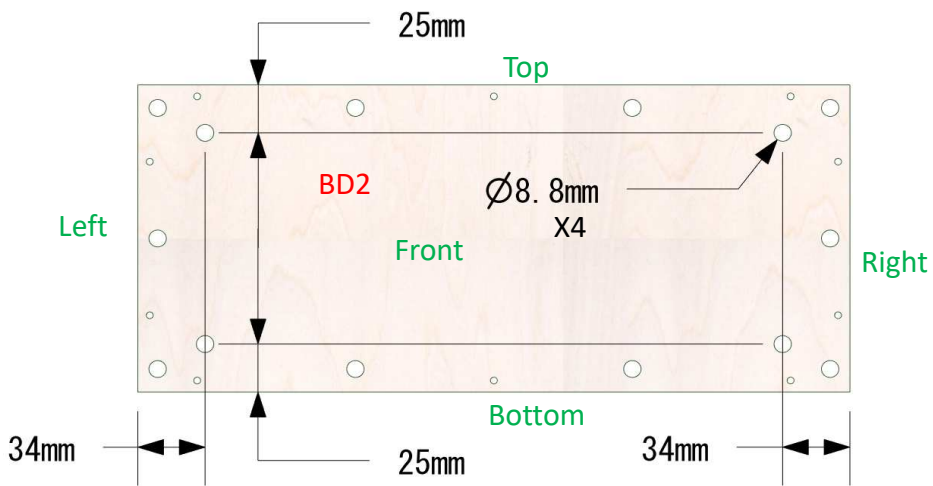
* Drilling for insert nuts



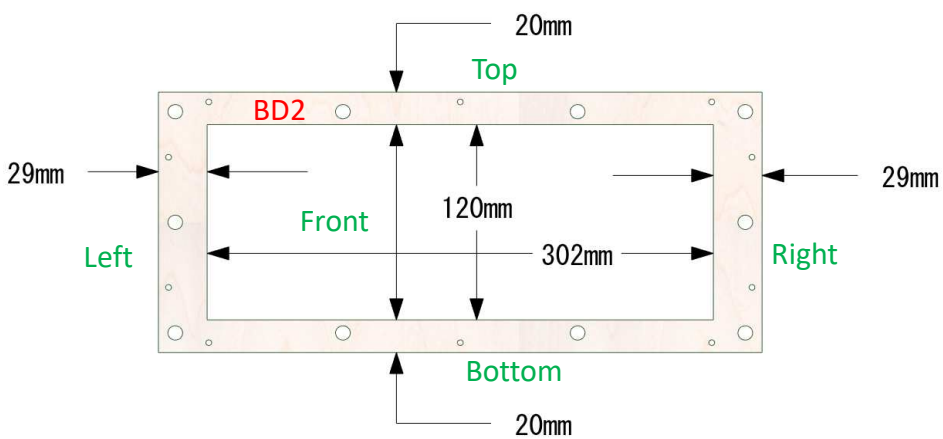
*** Drilling for wood screws**



*** Drilling for cutout**

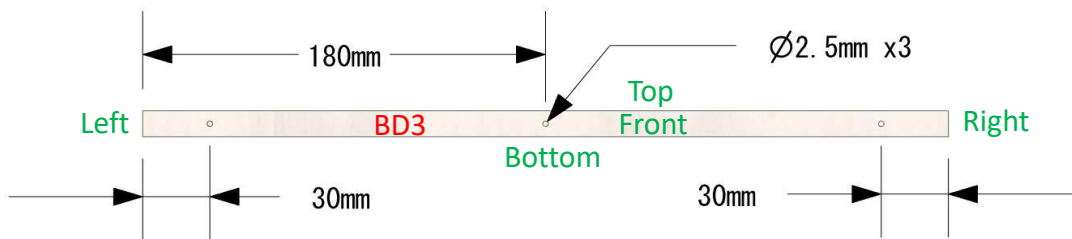
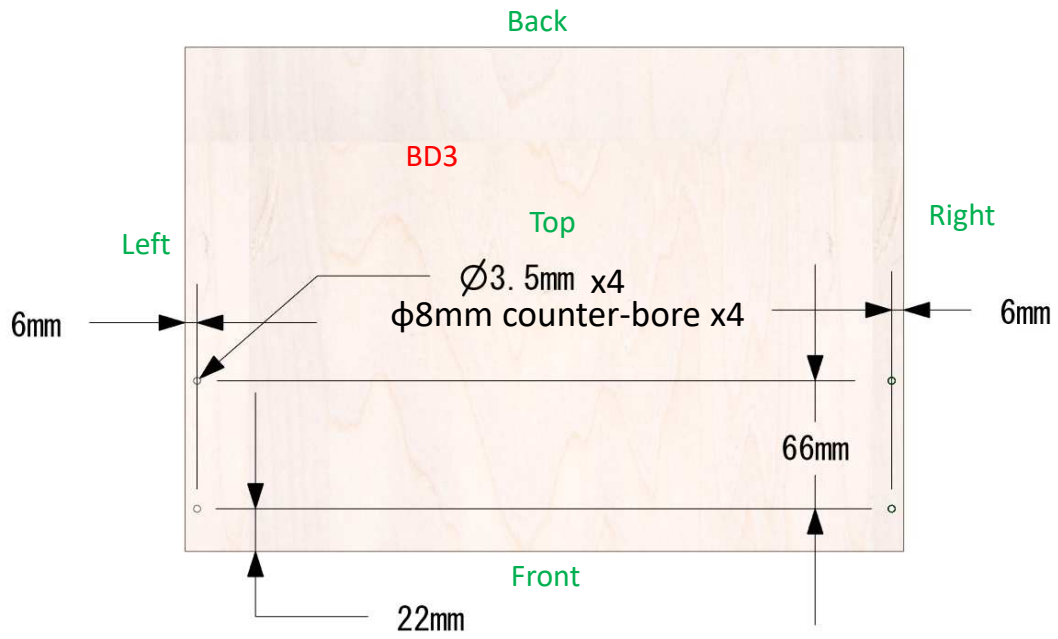


*** Cut out the cutout for the horn**



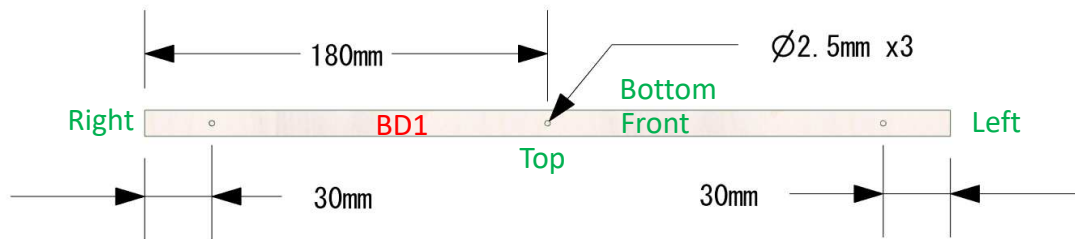
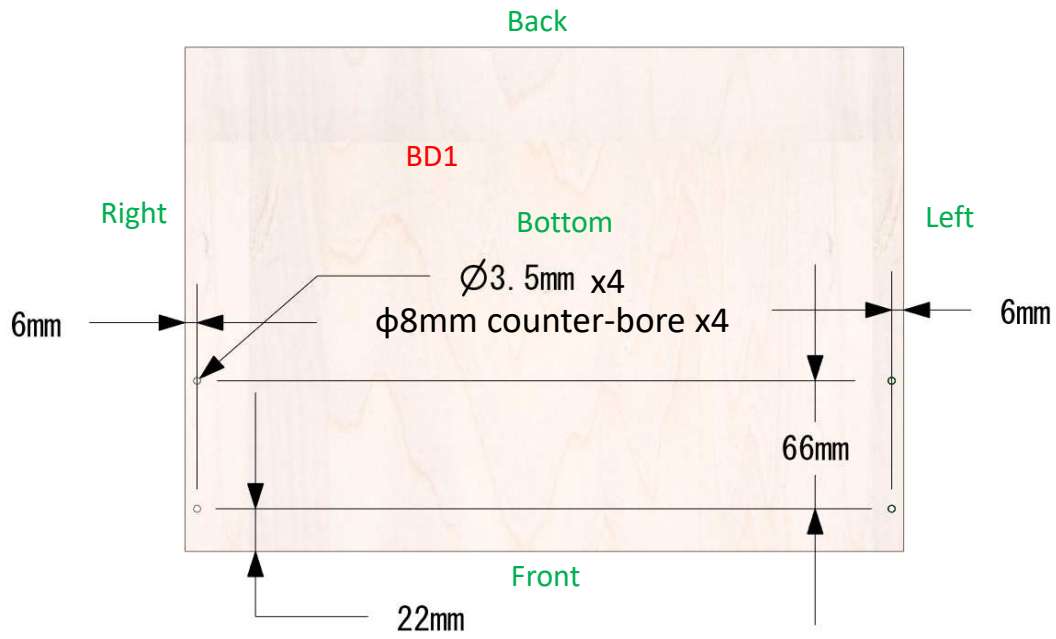
3-3. BD3: Top Panel

* Drilling for wood screws

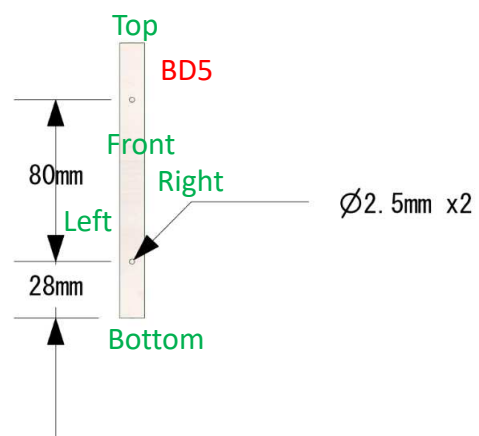
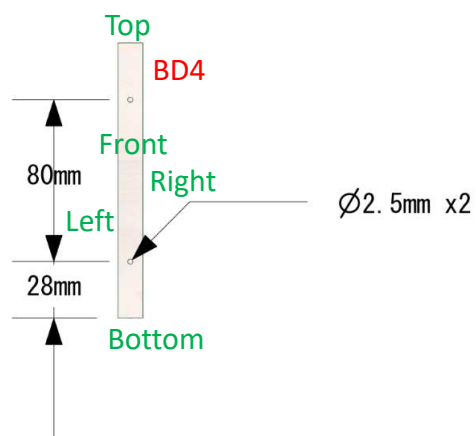


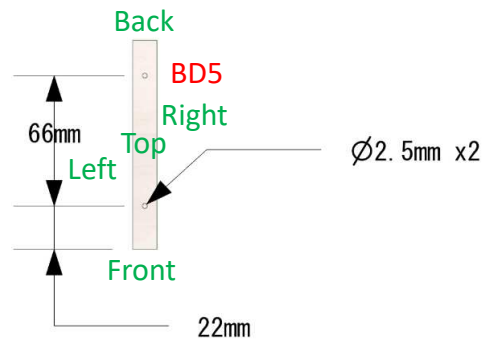
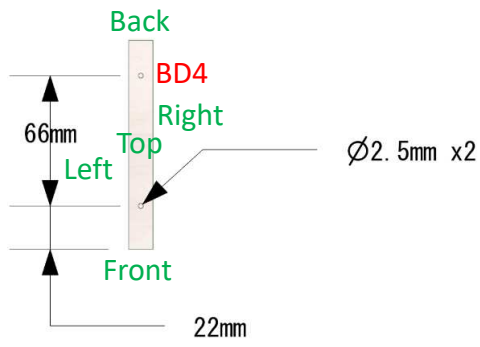
3-4. BD1: Bottom Panel

* Drilling for wood screws



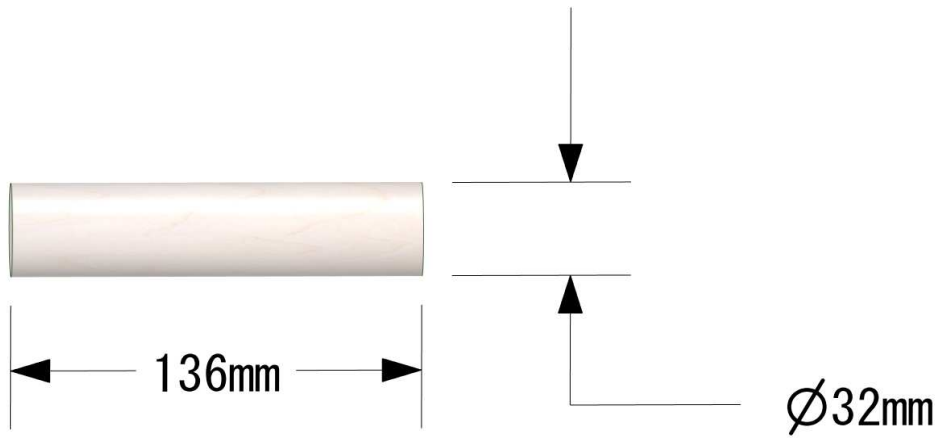
3-5. BD4: Side Panel (L), BD5: Side Panel ®
 * Drilling for wood screws





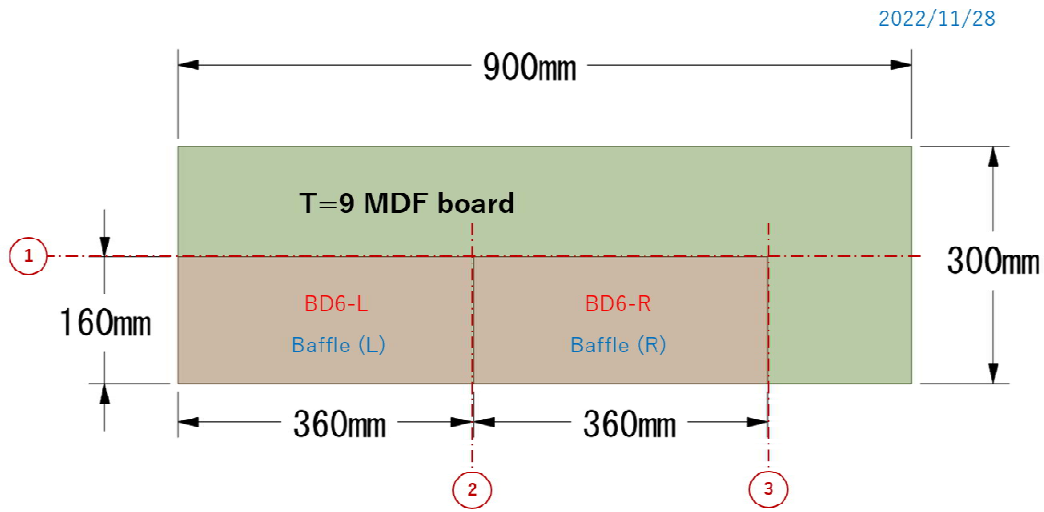
3-6. RB1: Pillar (L), RB2: Pillar (R)

* Cut it out of wood round bar

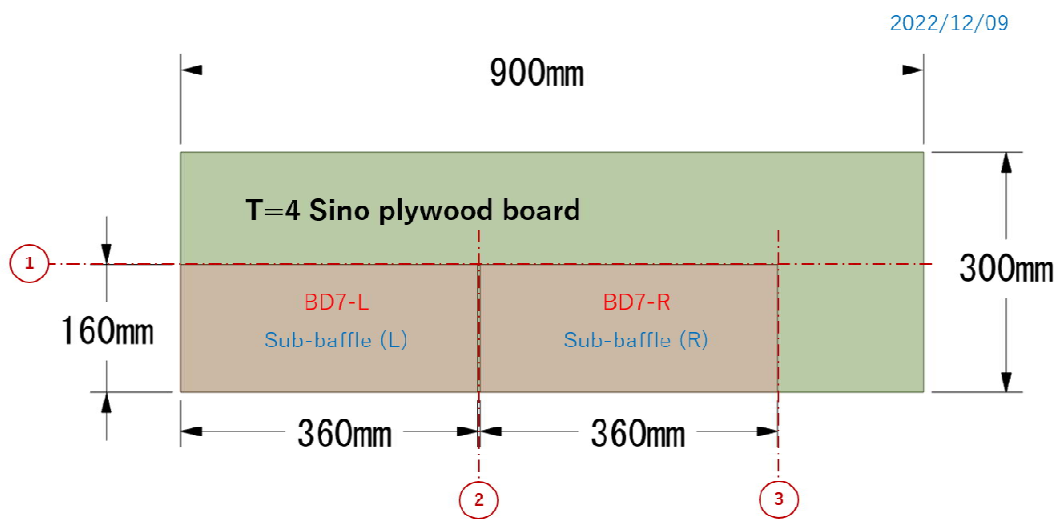


4. Squawker Baffle

4-1. Cutting plan



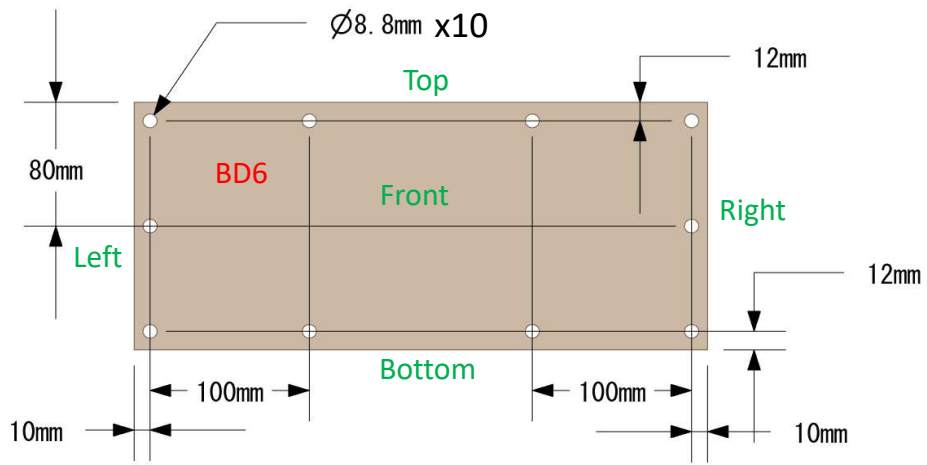
Cutting plan: Squawker Baffle



Cutting plan: Squawker Sub-Baffle

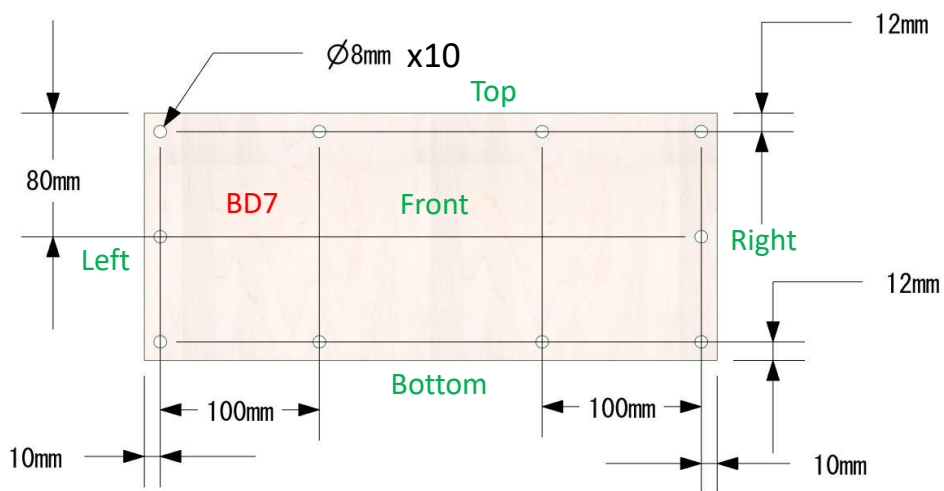
4-2. BD6: Squawker Baffle

* Drilling screw holes

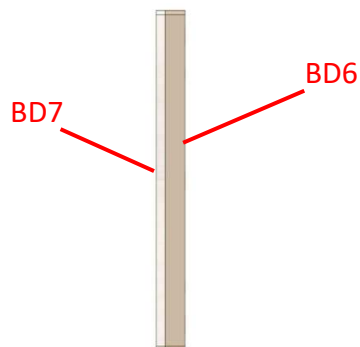


4-3. BD7: Squawker Sub-Baffle

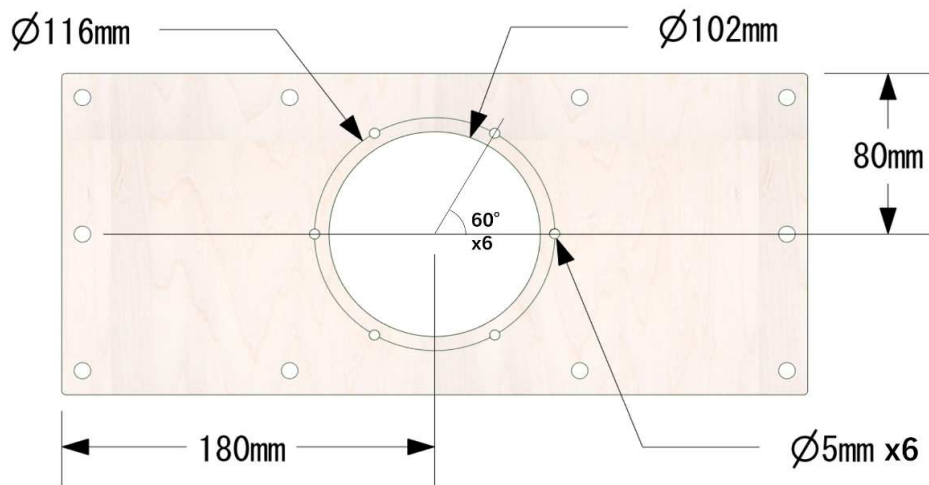
* Drilling screw holes



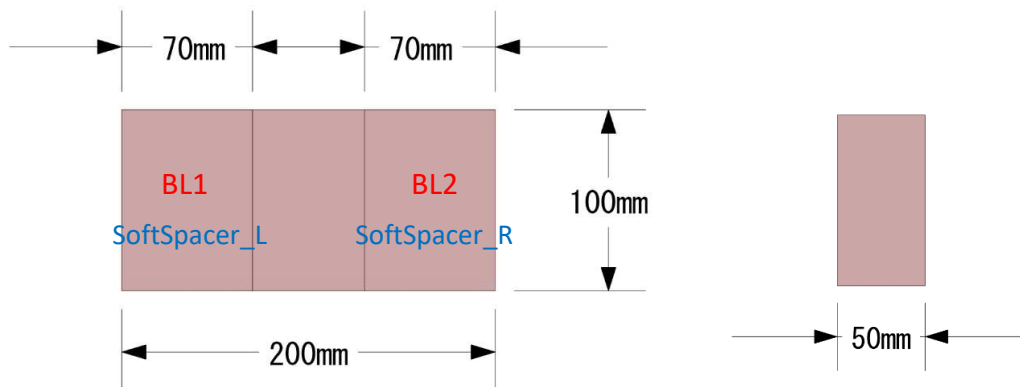
* Bond BD6 and BD7



4-4. Cut out holes for LS unit



4-5. Cut Soft Spacers out of foam brick



Foam brick: 200x100x50mm

[END OF SHEET]