

3. Squawker Box

* Paint

1. Sand w/ #150.
2. Paint NeoStain Chocolate.
3. Paint clear varnish.
4. Sand w/ #320.
5. Paint clear varnish
6. Sand w/ #1500.
7. Polish w/ compound



Asahi NeoStain
Chocolate



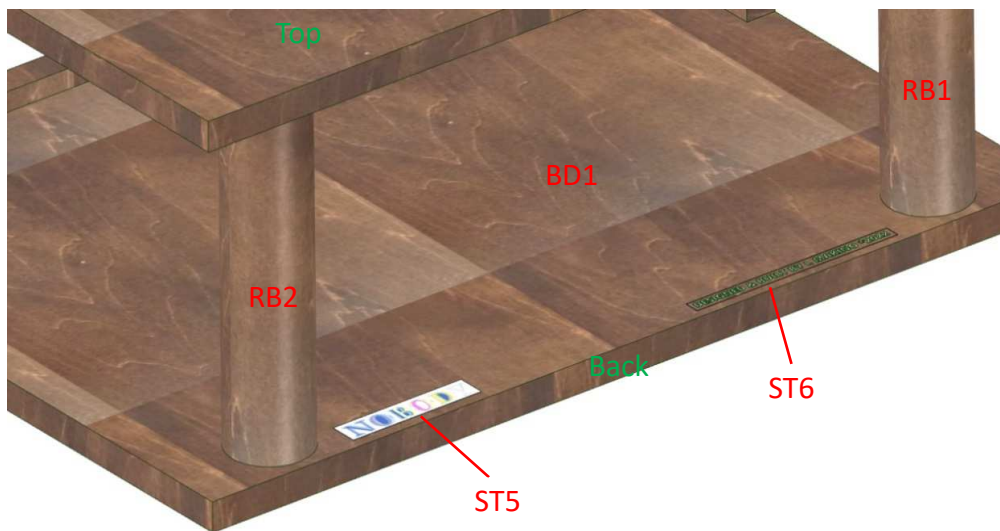
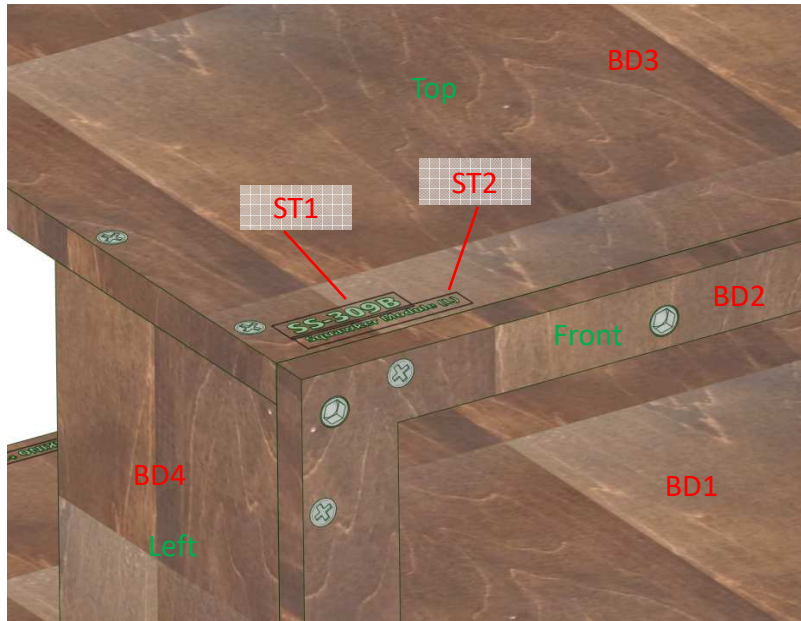
Asahi Urethane Varnish
Clear



Polisher

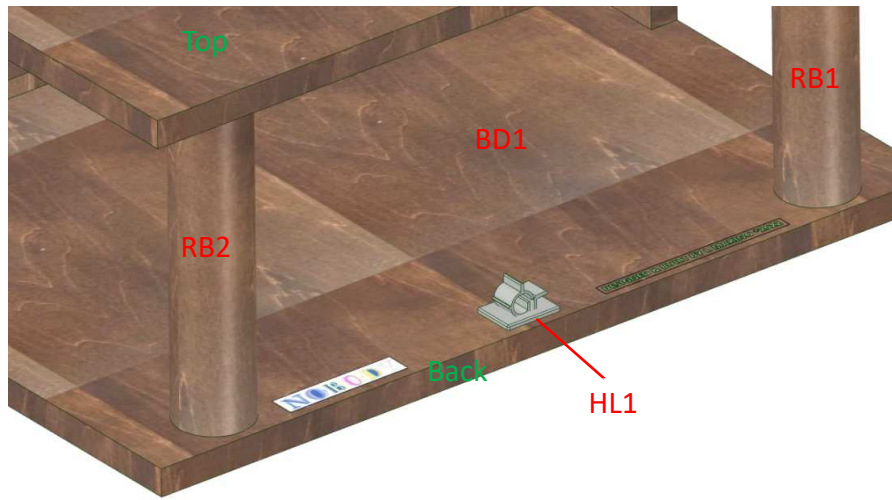
*** Stickers**

1. Affix ST1 ("SS-309B") on the front-left corner of BD3 (Top Panel).
2. Affix ST2 ("Squawker Module (L)" or "Squawker Module (R)") just below ST1.
3. Affix ST5 (logo of NOBODY) on BD1 (Bottom Panel) as shown in the figure below.
4. Affix ST6 ("DESIGNED & BUILT BY I. MAKINO *2022") on BD1 (Bottom Panel) as shown in the figure below.



*** Cable Holder**

1. Affix cable holder HL1 (SG Industry S-606) on BD1 (Bottom Panel) as shown in the figure below.

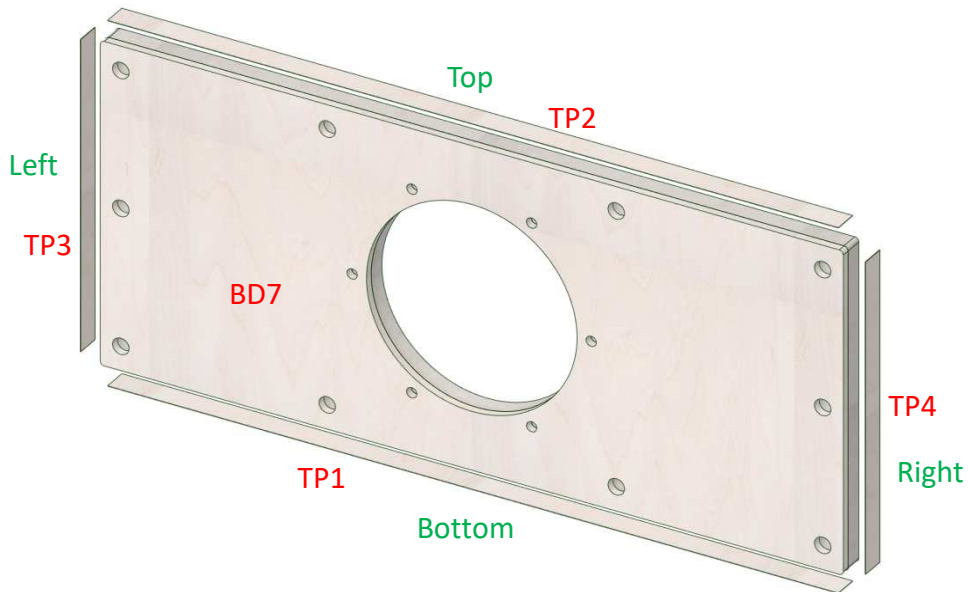


Completed!

4. Squawker Baffle

*** Kerf tape**

1. Cut kerf tape w/ sissors into two pieces of 12mm x 354mm. ==> TP1 and TP2
2. Cut kerf tape w/ sissors into two pieces of 12mm x 154mm. ==> TP3 and TP4
3. Affix TP1-TP4 as shown in the figure below.



*** Paint**

1. Sand w/ #150.
2. Paint NeoStain Chocolate.
3. Paint clear varnish.
4. Sand w/ #320.
5. Paint clear varnish
6. Sand w/ #1500.
7. Polish w/ compound



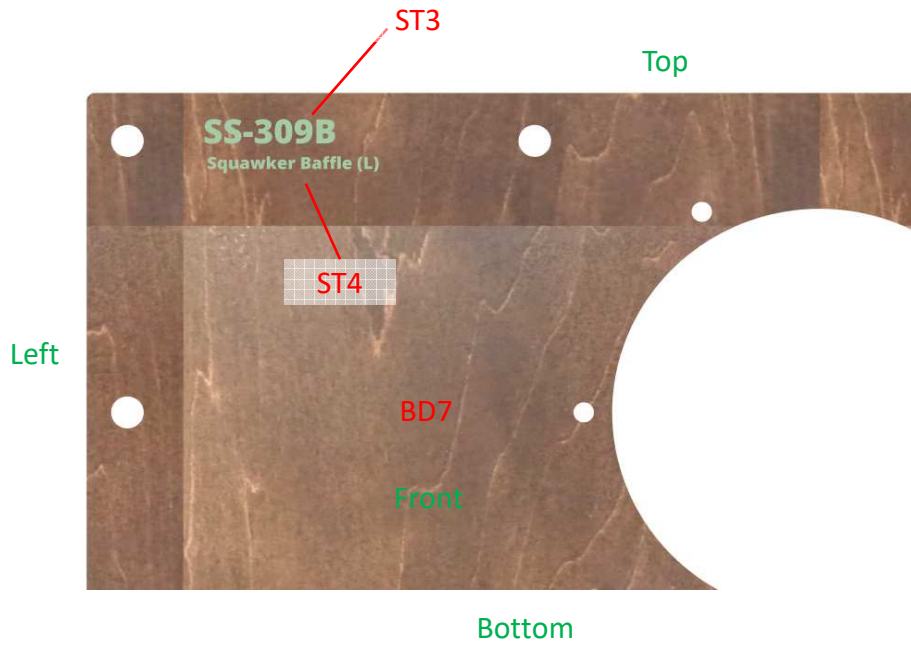
Same paint as Sq Box



The back of Sq Baffle needn't be painted!

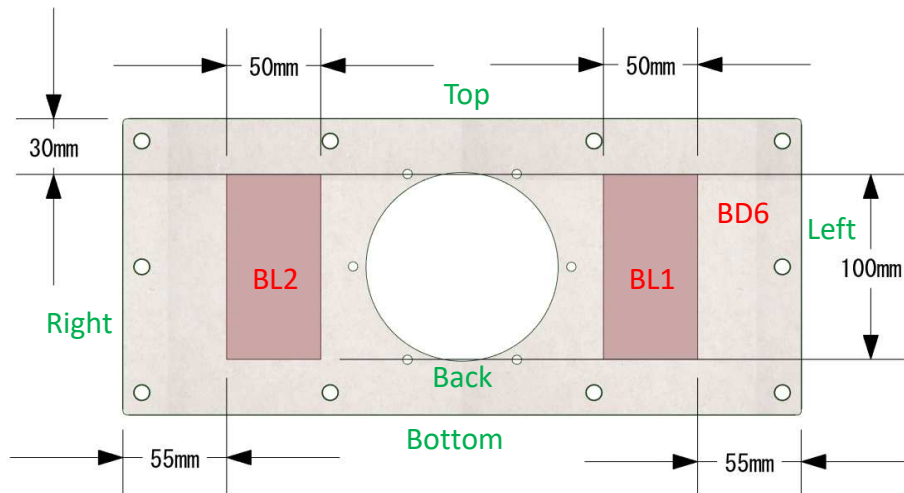
*** Stickers**

1. Affix ST3 ("SS-309B") on the upper-left corner of BD7 (Sub-Baffle).
2. Affix ST4 ("Squawker Baffle (L)" or "Squawker Baffle (R)") just below ST3.

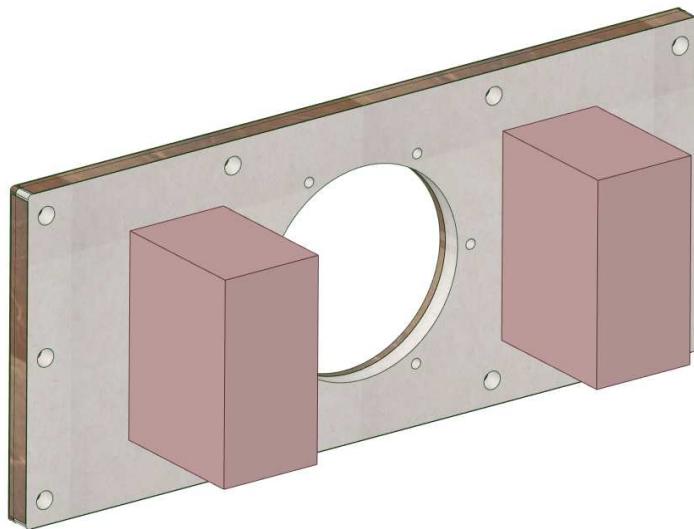
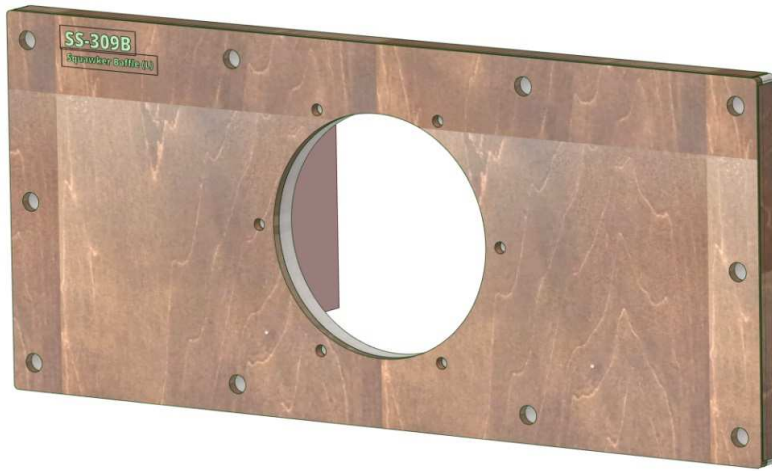


*** Soft Spacer**

1. Attach BL1 and BL2 (Soft Spacer) on the back side of BD6 (Baffle) with double-stick tape.

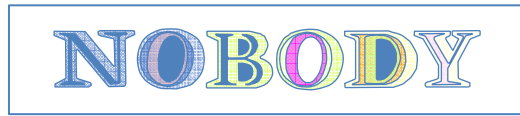


Completed!



5. Sticker Design

Print this page on sticker, ELECOM EDT-STSC (A4 transparent).



ST5



ST5



ST3-L, ST4-L



ST3-R, ST4-R



ST1-L, ST2-L



ST1-R, ST2-R



[END OF SHEET]