



SS-309B TRAD

Design



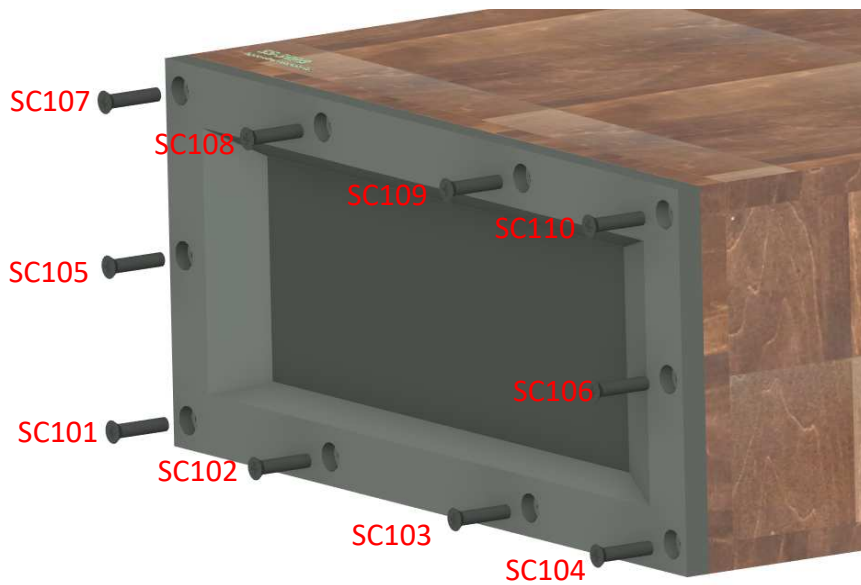
2023/03/05

Final Assy

1. Squawker Module

1-1. Horn Squawker

Fix horn (Classic Pro H4401) onto Squawker Box with M6 L25 small flat head screws, SC101-SC110.



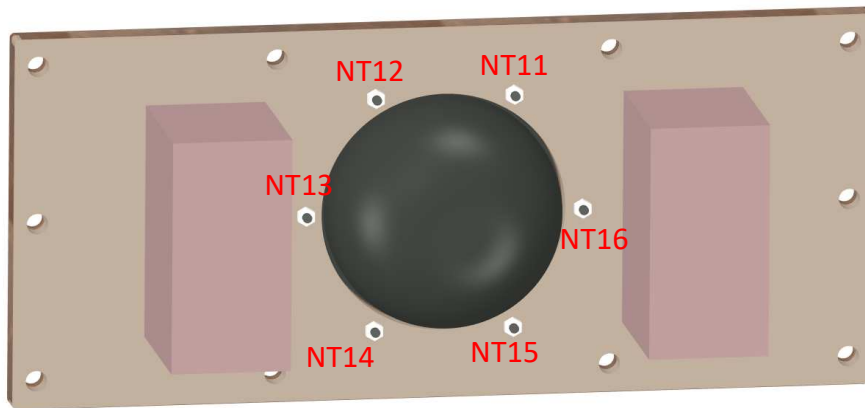
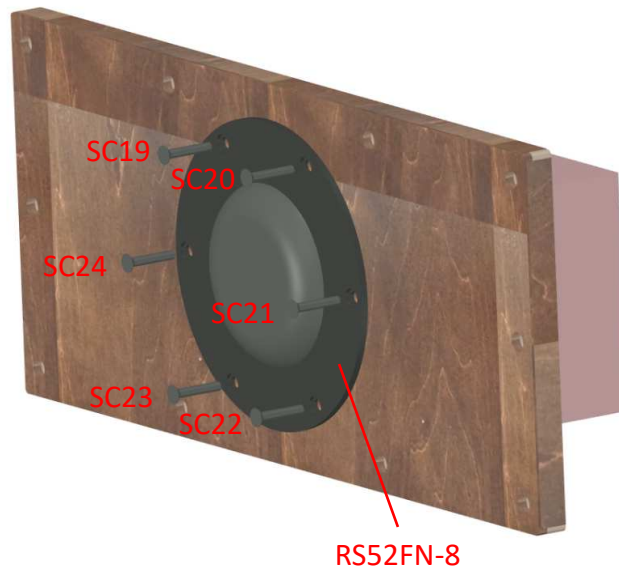
1-2. Dome Squawker

* Fix driver onto Squawker Baffle

Driver: Dayton Audio RS52FN-8

Screw: SC19-SC24: M4 L20 flat head black

Nut: NT11-16: M4



*** Fix Squawker Baffle onto Squawker Box**

Fix Squawker Baffle onto Squawker Box with M6 L25 small flat head screws, SC101-SC110.
The screws are the same ones as used to fix the horn (H4401).



[END OF SHEET]