

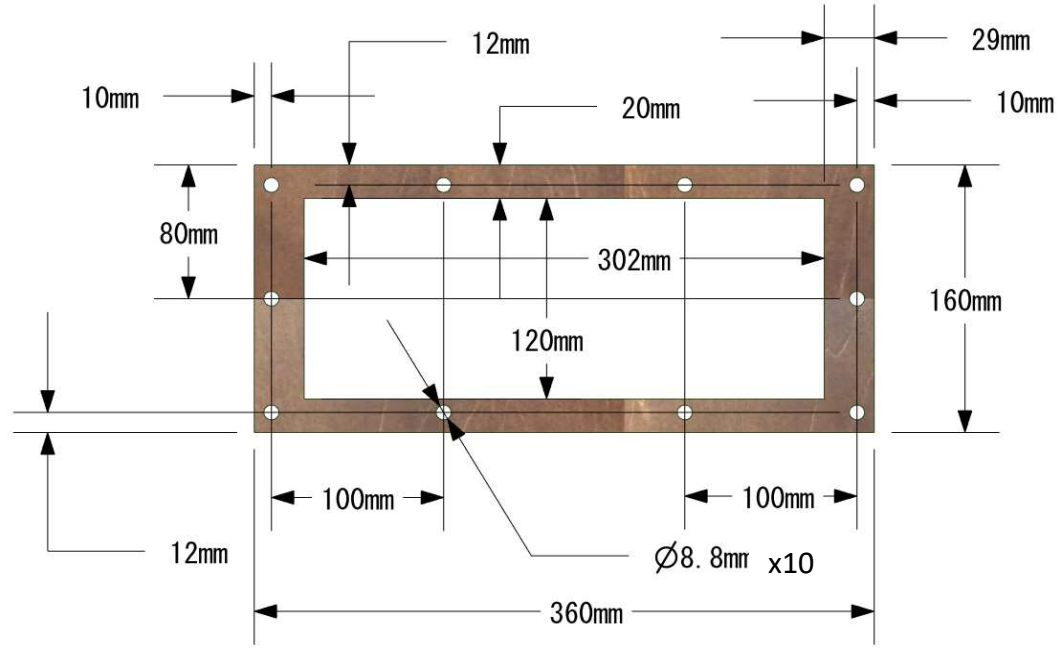
2. Squawker Module



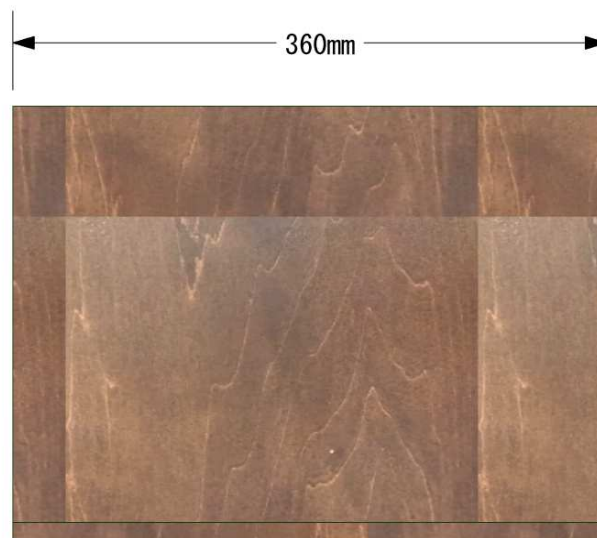
Squawker Box



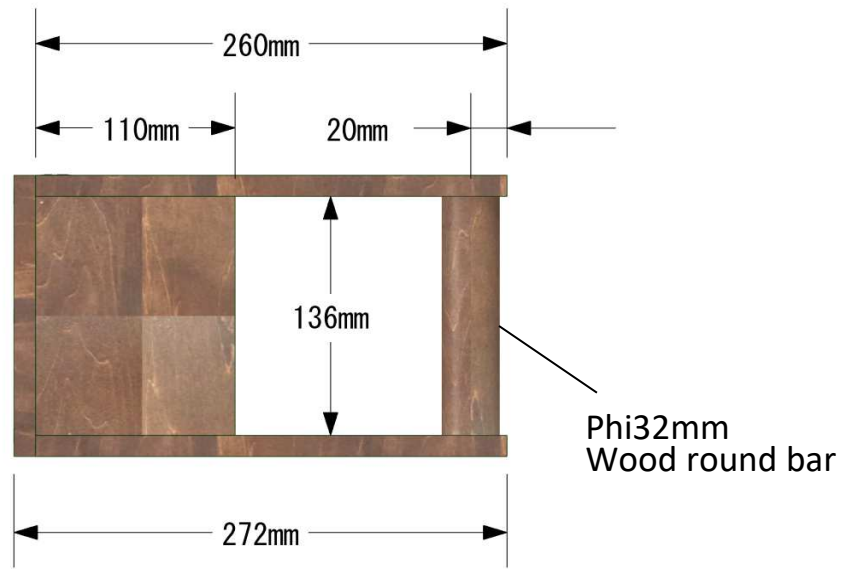
*** Front**



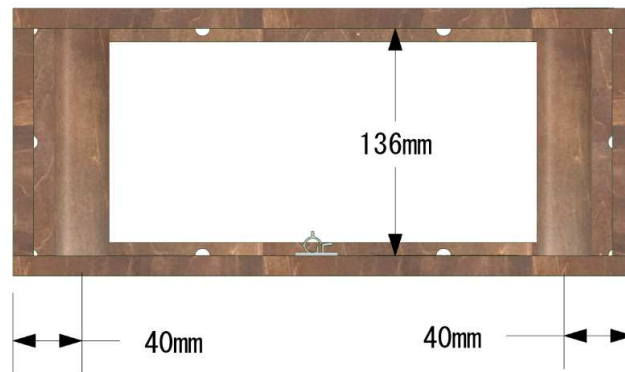
*** Top**



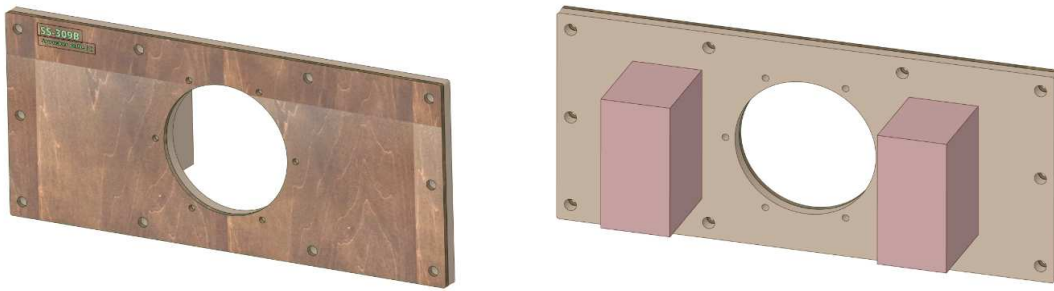
*** Right**



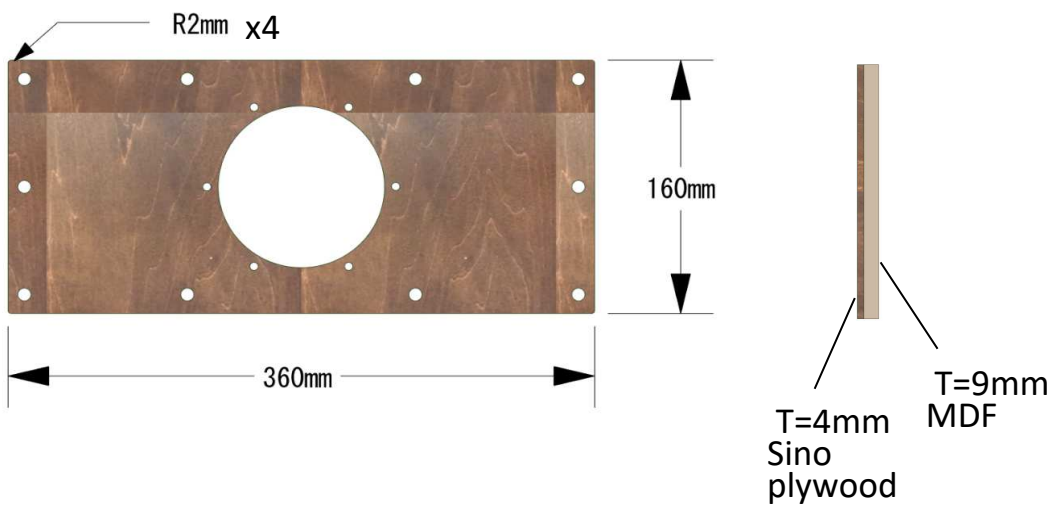
*** Back**



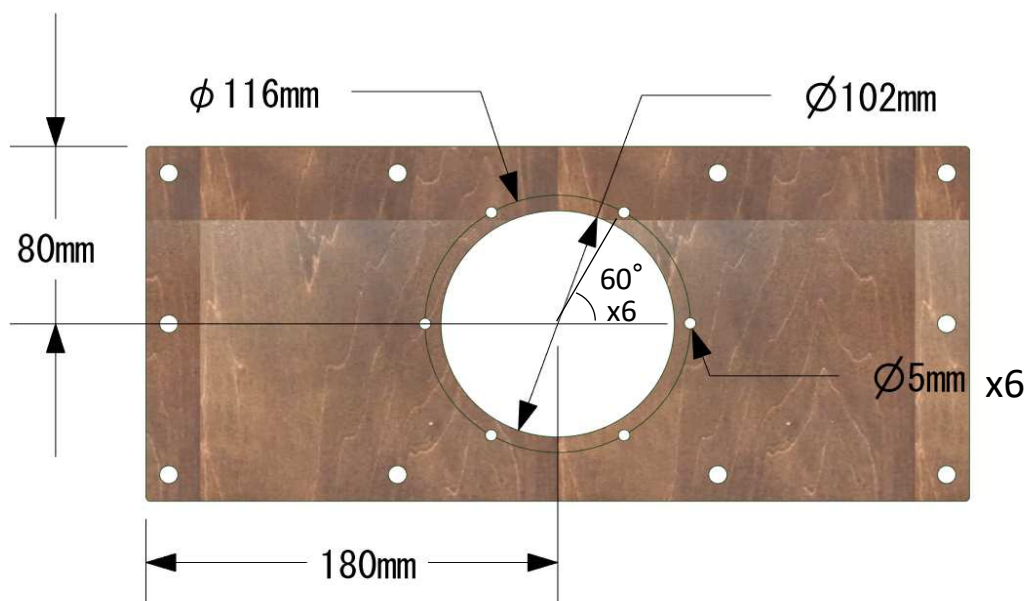
Squawker Baffle



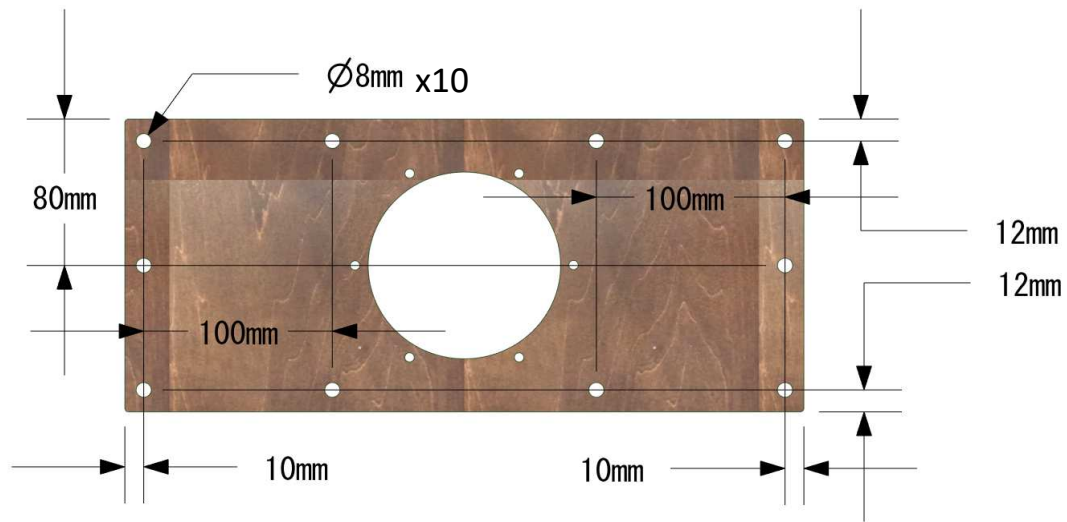
* Dimension



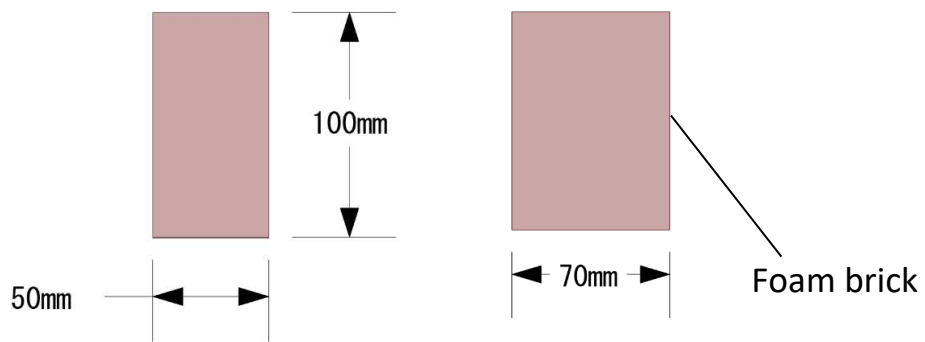
* Cutout for driver



*** Screw holes**



*** Soft Spacer**



[END OF SHEET]