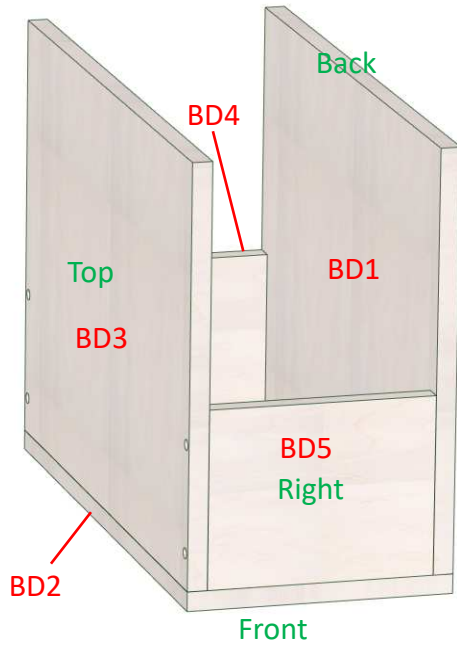


3. Squawker Box

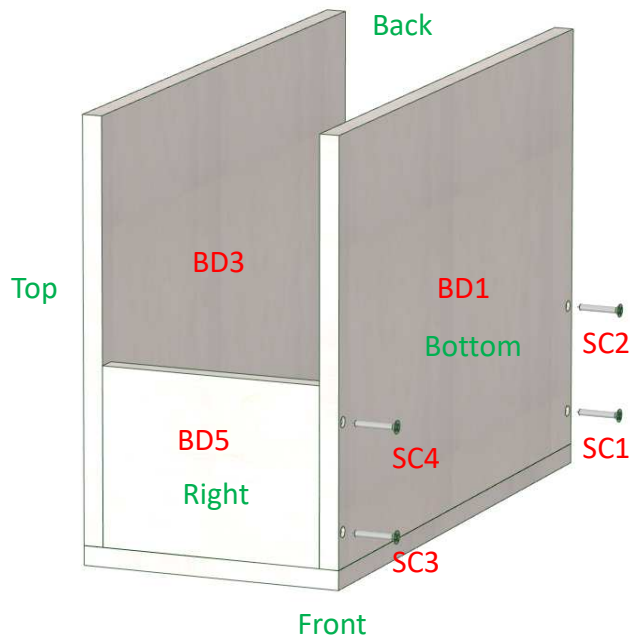
* Bond BD1-BD5

1. Put BD2 (Front Panel) on the work table.
2. Glue BD1 and BD3-BD5 onto BD2 with wood bond.



* Drive SC1-SC4

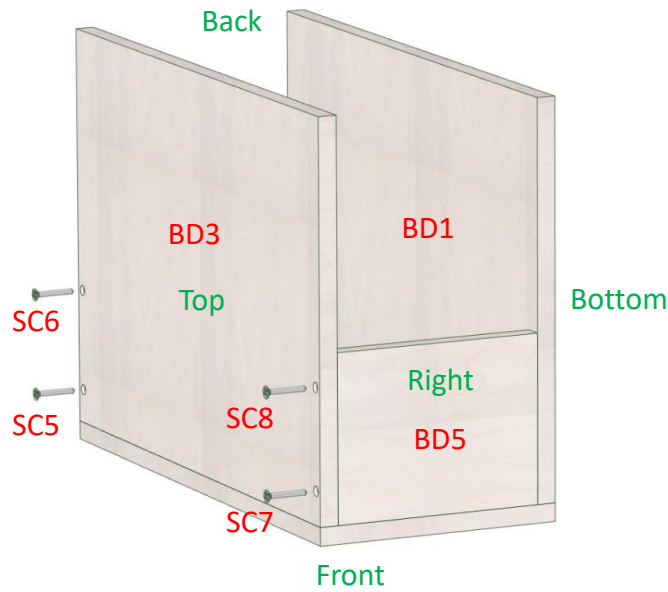
1. Drive wood screws SC1-SC4.



SC1-4: Wood screw 3.5 x 25mm

*** Drive SC5-SC8**

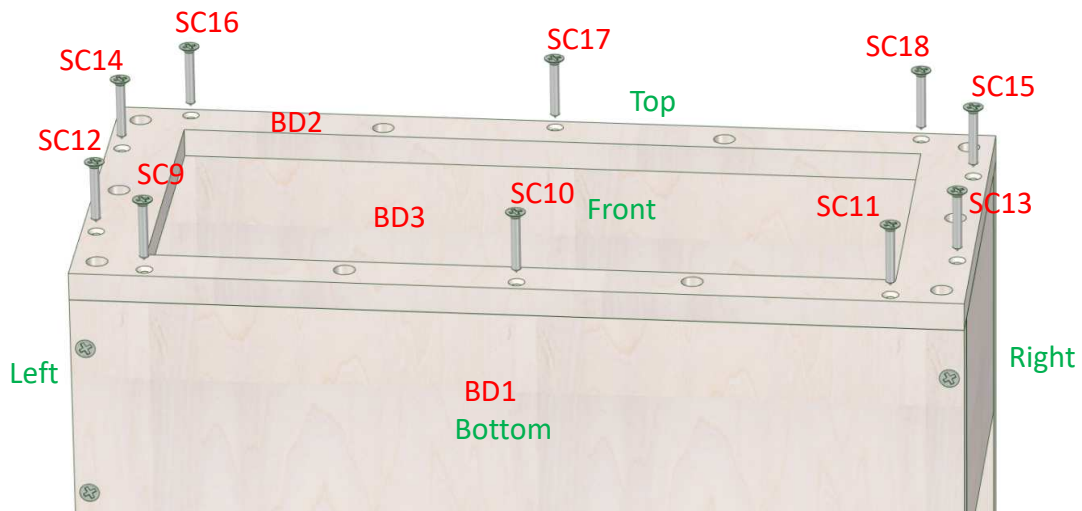
1. Drive wood screws SC5-SC8.



SC5-8: Wood screw 3.5 x 25mm

*** Drive SC9-SC18**

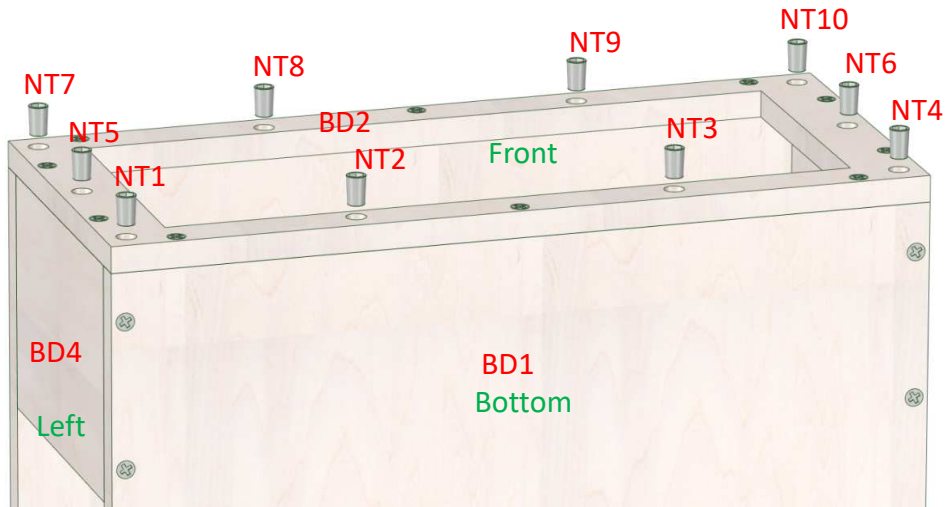
1. Turn Sq Box upside down.
2. Drive wood screws SC9-SC18.



SC9-18: Wood screw 3.5 x 25mm

*** Drive NT1-NT10**

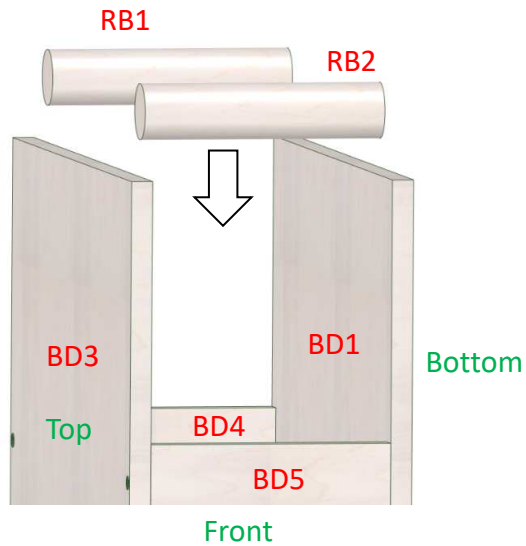
1. Drive insert nuts NT1-NT10 with a hex key.

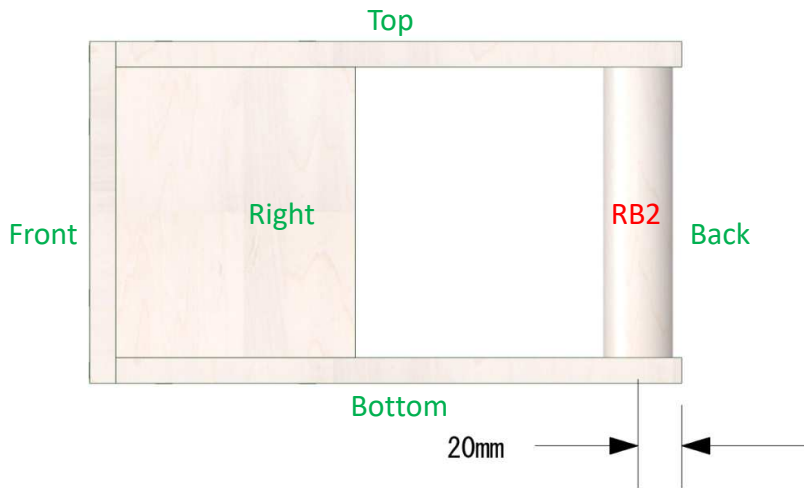
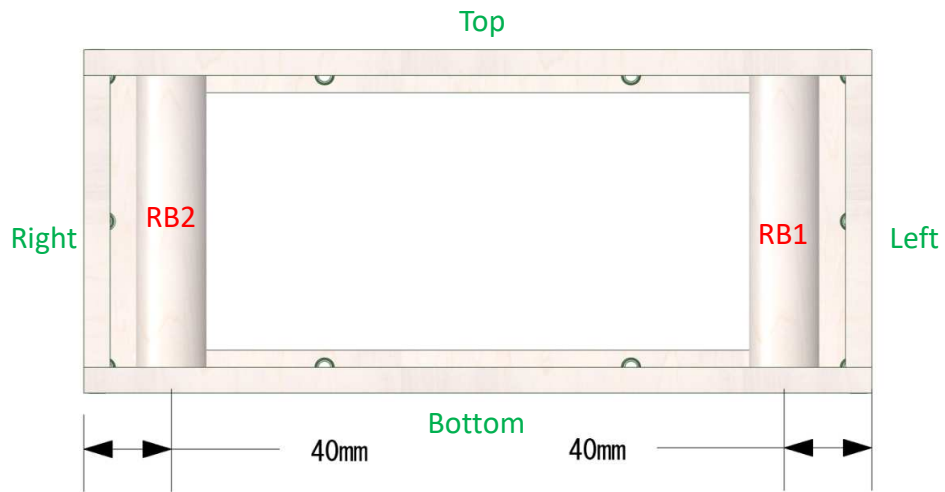


NT1-10: Insert nut E-type, M6 x 13mm

*** Bond RB1-RB2**

1. Turn Sq Box upside down.
2. Trim pillars with files so that they fit with the clearance between BD1 and
3. Glue pillars to Sq Box.





[END OF SHEET]