

Finish

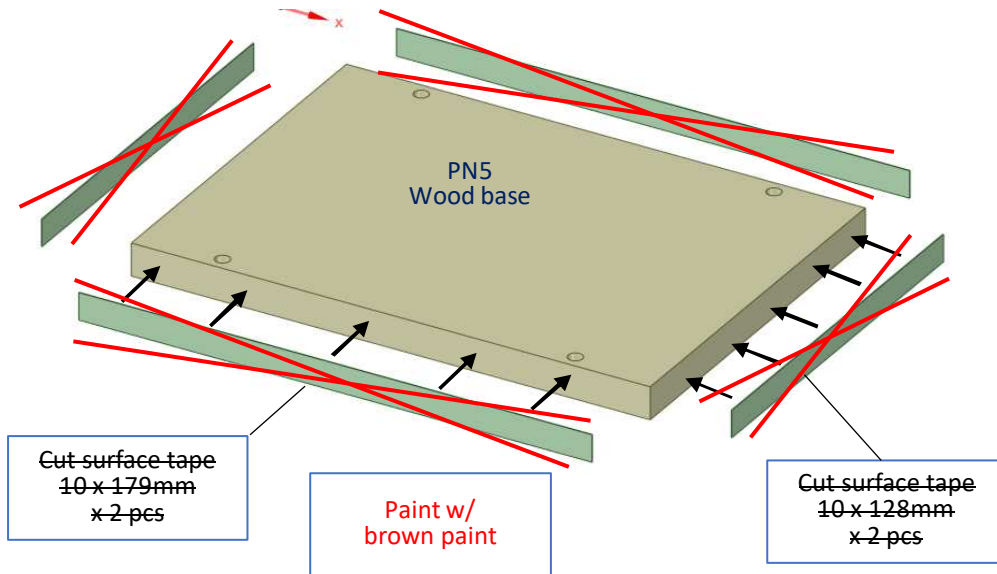
Wood Board

Stick cut surface tape on the cut surfaces.

10mm-wide cut surface tape is not available!

Tools: ~~scissors~~ brown water paint

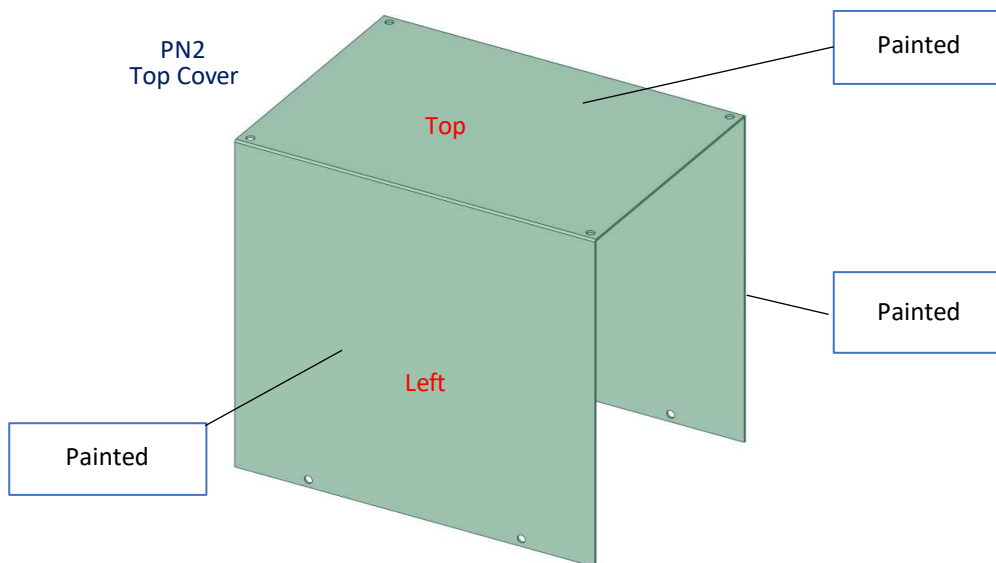
--> Paint the surfaces with brown paint.



Top Cover

Top Cover's outside surfaces are to be painted black with antique paint.

Tools: primer, antique paint (bronze green & green patina), brush, sponge



Back Panel

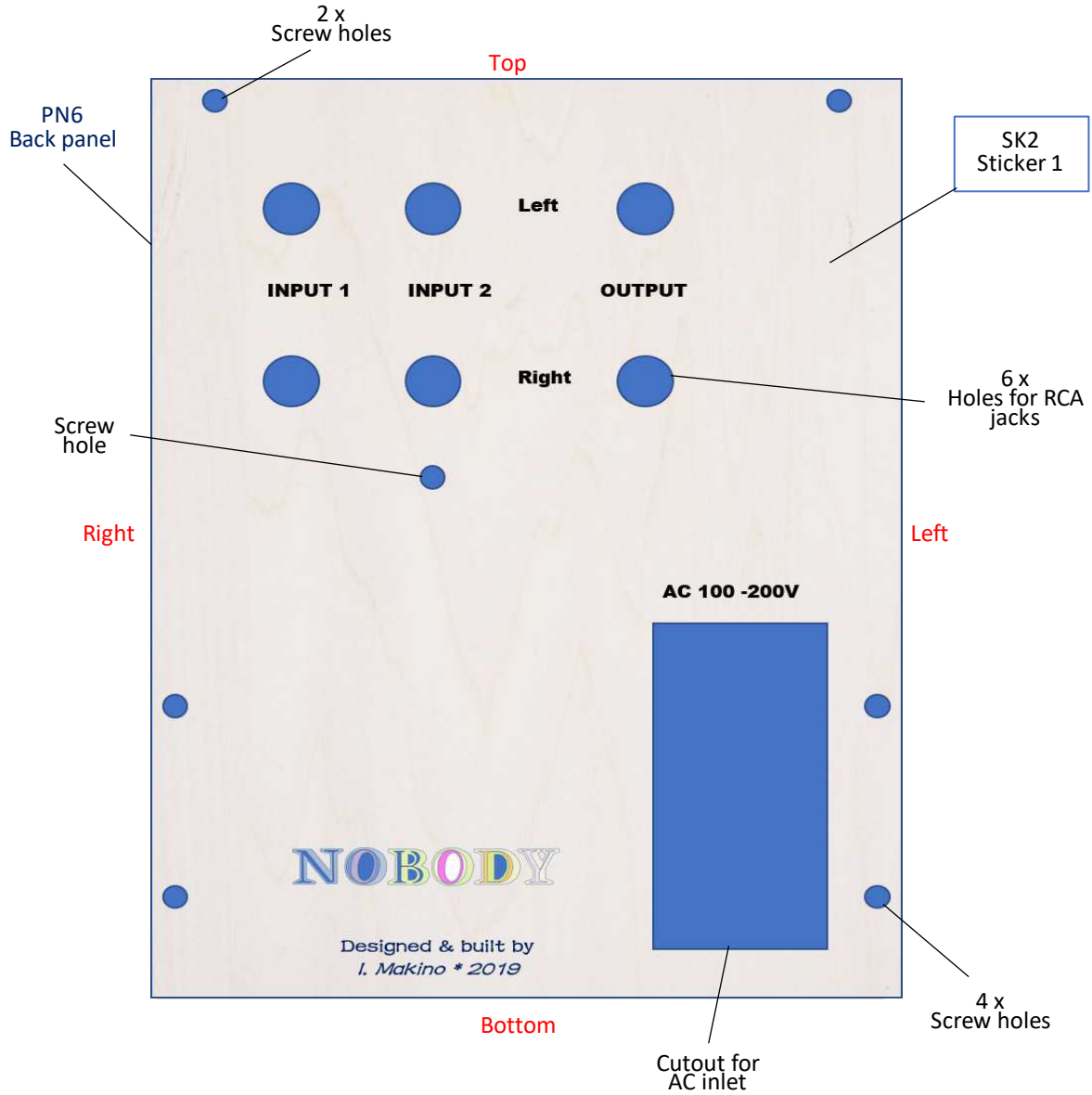
(1) Print the images of the sticker 1 (SK2).

Use MS Paint to print the images. The enlarge rate: 64%

(2) Cut out the holes in SK2.

(3) Affix SK2 on Back Panel (PN6) as indicated below.

Tools: PC, printer, image file (SK2_Sticker(64%).png), sticker (A-one #29421), cutter



SK2 fully covers Back Panel.

Front Panel

(1) Print the images of the printed sheet (SK1).

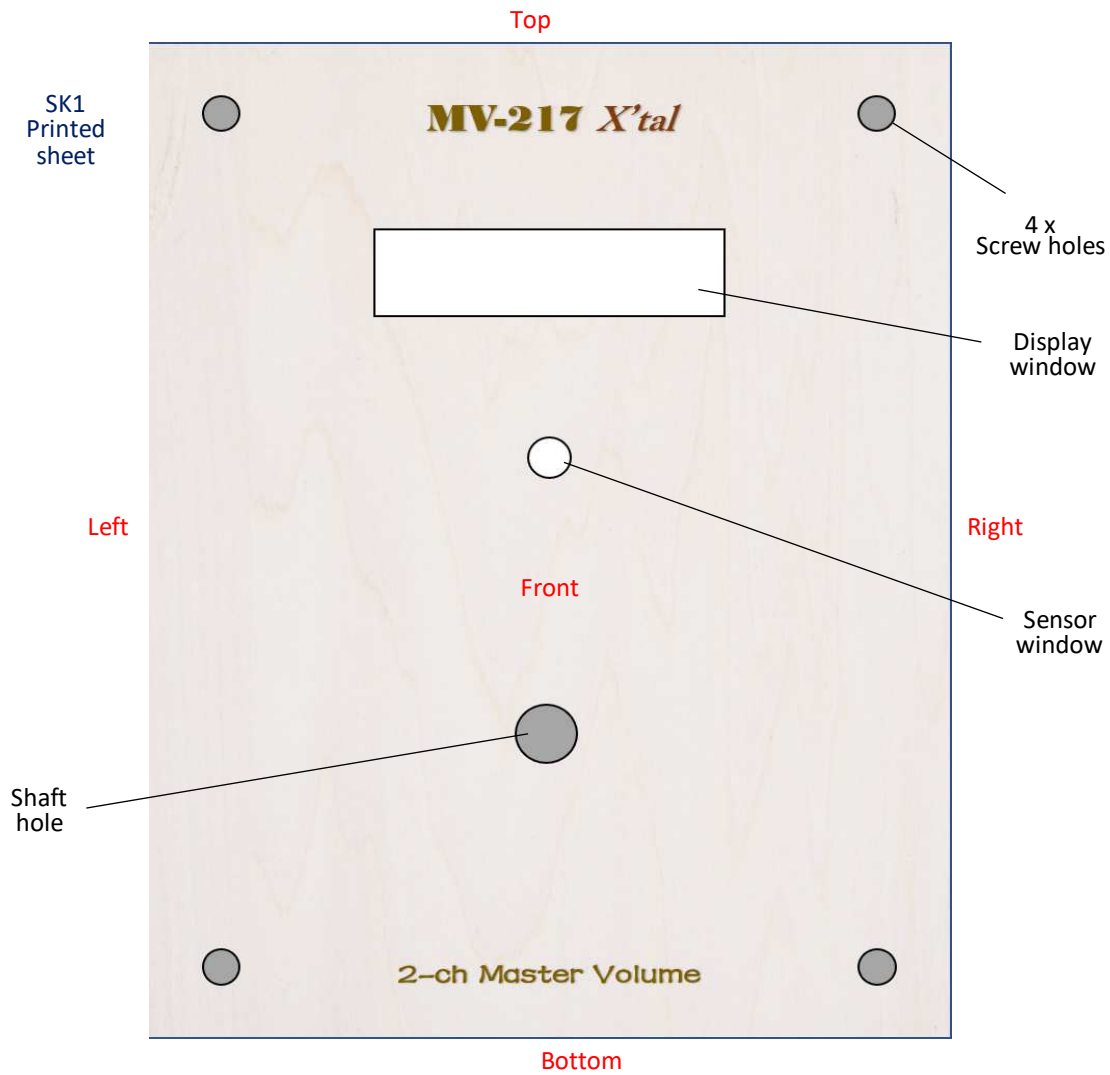
Use MS Paint to print the image. The enlarge rate: 64%

(2) Cut out SK1.

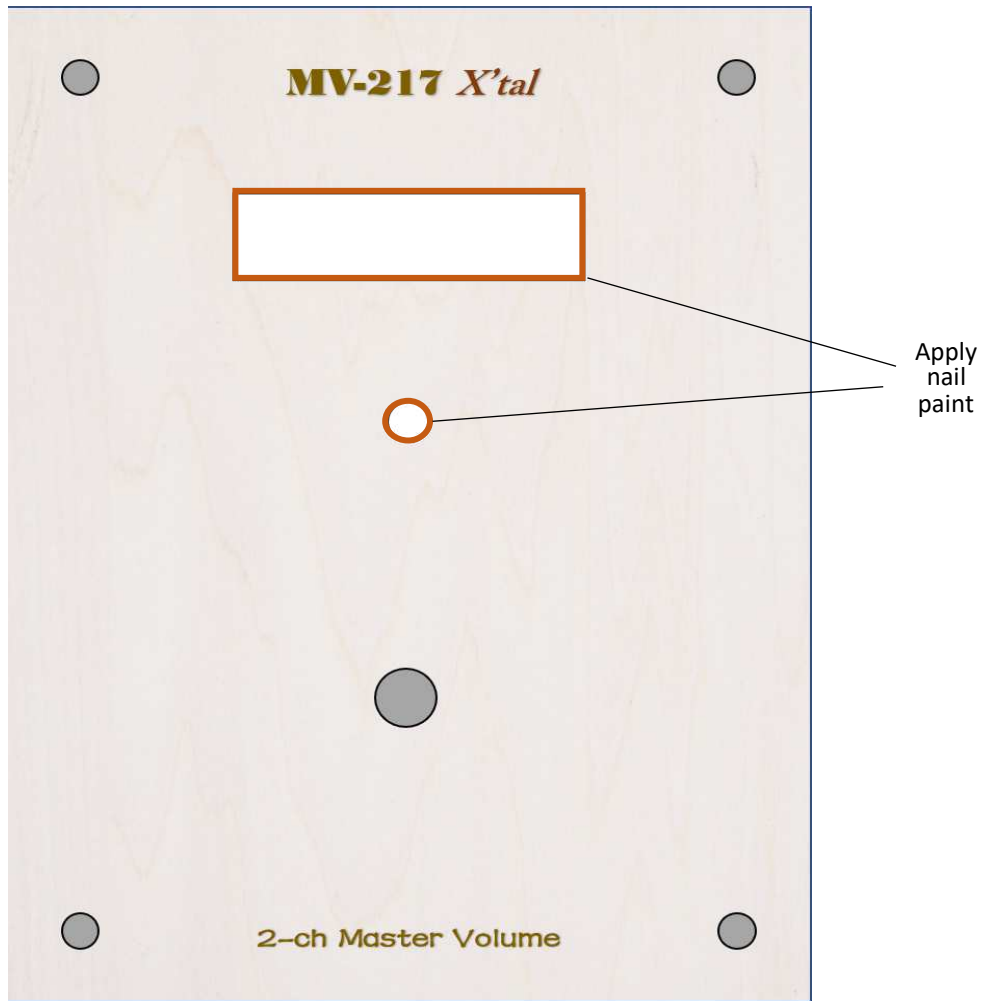
Cut out the display window and photo sensor window, screw holes, shaft hole.

(3) Affix SK1 on the front panel (PN3).

Tools: PC, printer, image file (SK1_PrintSheet(64%).png), sticker ((A-one #28874)), cutter



PN3
Front
panel + SK1
Printed
sheet



[END OF DOCUMENT]