

SS-309 Woofer Box

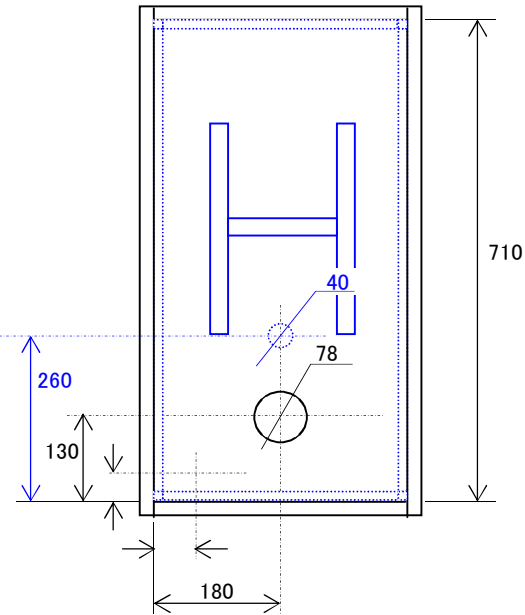
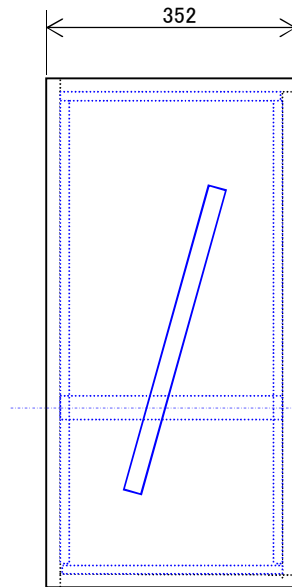
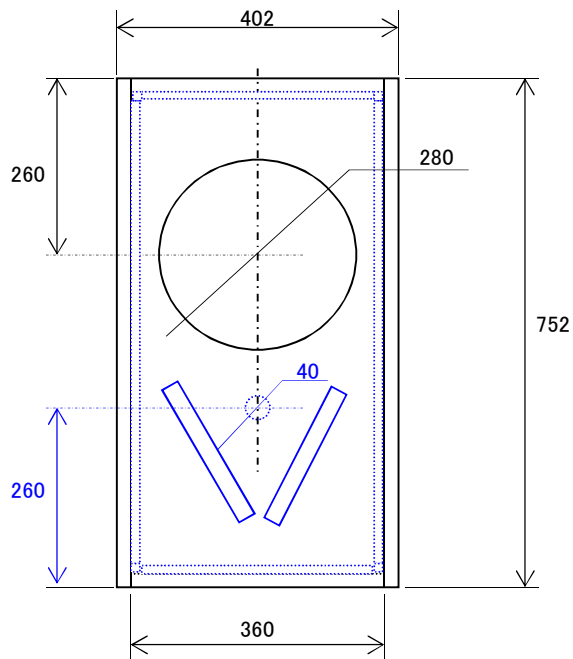
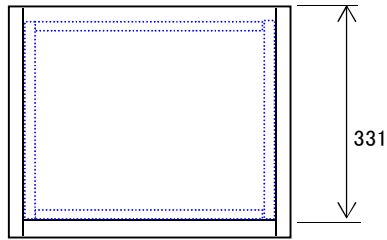
W = 360 [mm], H = 710 [mm], D = 310 [mm]

00/10/19 Designed

V = 79.24 [l]

00/11/11 Reinforce

t = 21 [mm]



Port tube: Tritec BR-70

68phi x 130mm

$f_p = 28\text{Hz}$

68phi x 113mm

$f_p = 29\text{Hz}$ [03/07/19]

68phi x 130mm

$f_p = 28\text{Hz}$ [11/07/20]