

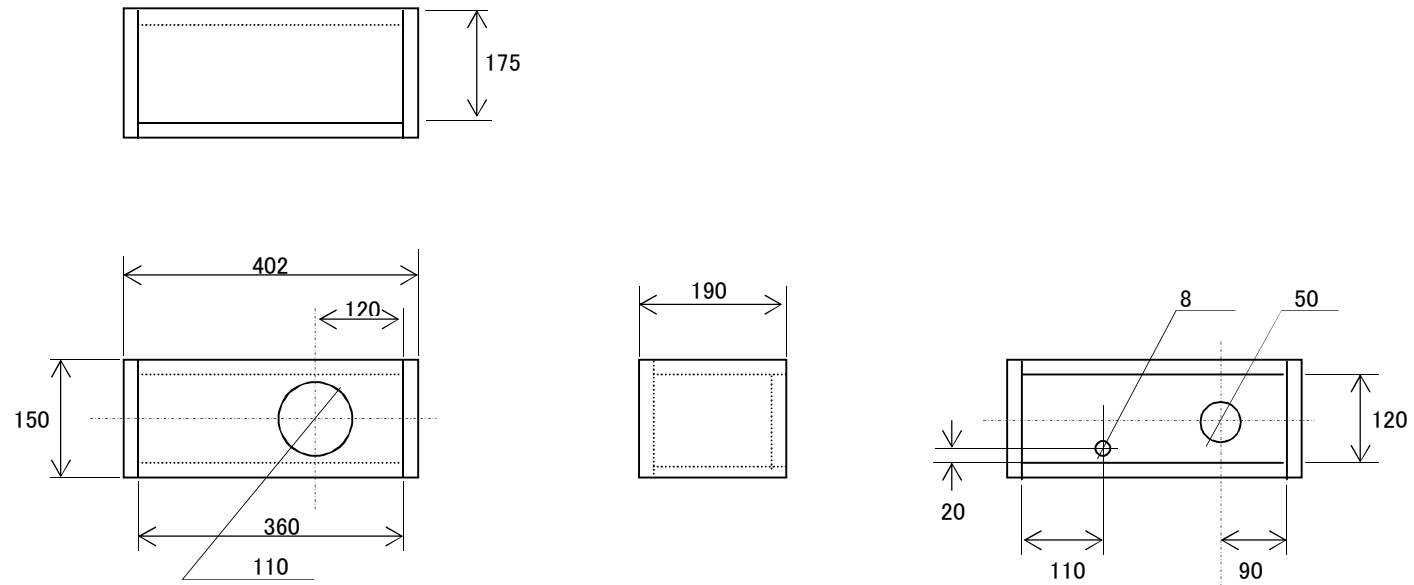
SS-309 Midrange Box

$$W = 360 \text{ [mm]}, H = 120 \text{ [mm]}, D = 160 \text{ [mm]}$$

$$V = 6.91 \text{ [l]}$$

$$t = 15 \text{ [mm]}$$

$$21 \text{ [mm]} \text{ for side boards}$$



Port tube: Fostex P49 49phi x 60mm $f_p = 97\text{Hz}$