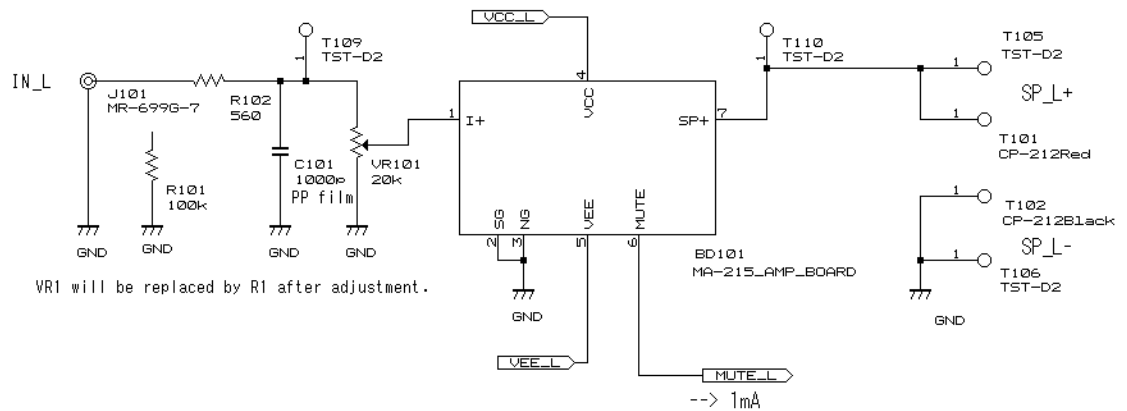


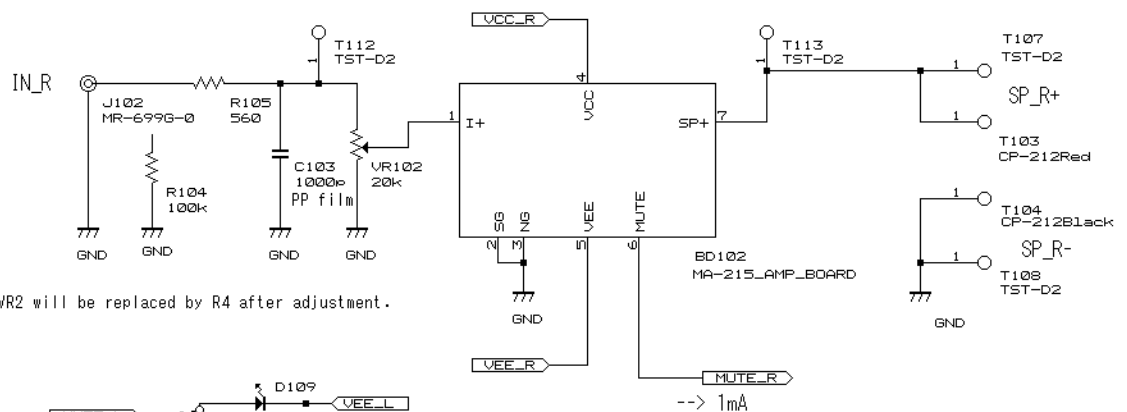
LM3886 is in mute mode with M terminal open.

All resistors are audio-grade 1/3W carbon film type (Taiyohm) unless otherwise specified

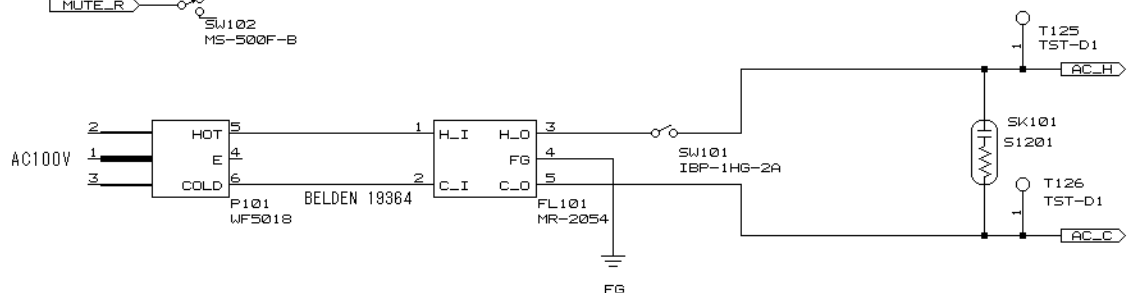
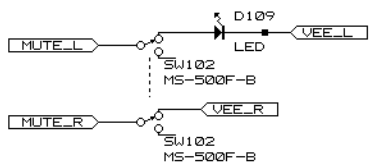
1.1	DEBUGGED SCHEMATIC	2015/06/22	I.M.																	
1.0	DETAILED SCHEMATIC	2014/03/21	I.M.																	
0.0	TENTATIVE SCHEMATIC	2013/08/25	I.M.																	
	内容	日付	担当	備考																
<table border="1"> <tr> <td colspan="2">Title</td> <td colspan="2">Number</td> </tr> <tr> <td colspan="2">Date</td> <td>Size</td> <td>Revision</td> </tr> <tr> <td colspan="2">2015/06/22</td> <td>A4</td> <td>1.1</td> </tr> <tr> <td colspan="2"></td> <td></td> <td>Page 1/1</td> </tr> </table>					Title		Number		Date		Size	Revision	2015/06/22		A4	1.1				Page 1/1
Title		Number																		
Date		Size	Revision																	
2015/06/22		A4	1.1																	
			Page 1/1																	



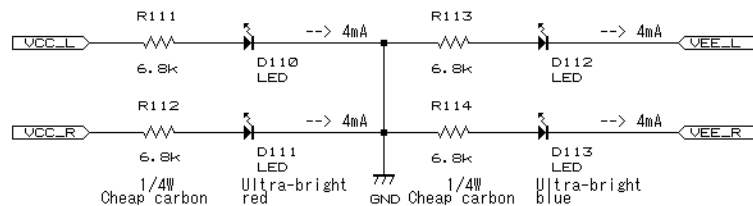
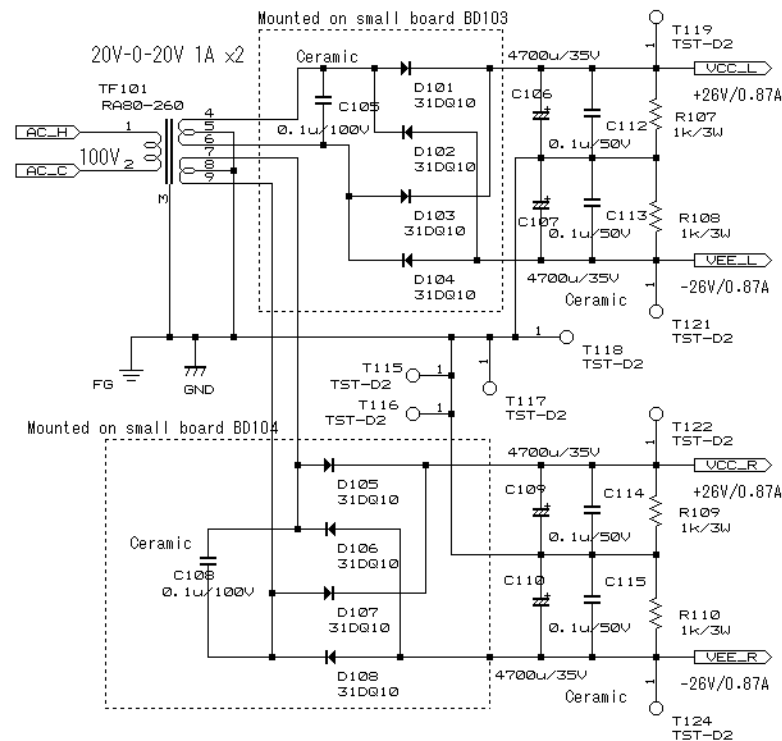
VR1 will be replaced by R1 after adjustment.



VR2 will be replaced by R4 after adjustment.



IBP-1HG-2A includes 2A circuit breaker



All the resistors are 1/3W audio-grade type (Taiyohm) unless otherwise specified.

1.3	DEBUGGED SCHEMATIC	2015/12/14	I.M.	
1.0	DETAILED SCHEMATIC	2014/03/20	I.M.	
0.0	TENTATIVE SCHEMATIC	2013/11/27	I.M.	
	内容	日付	担当	備考

Title		MA-215 MAIN SCHEMATIC		Number	
Date	2015/12/14	Size	A4	Revision	1.3
			Page	1/1	