

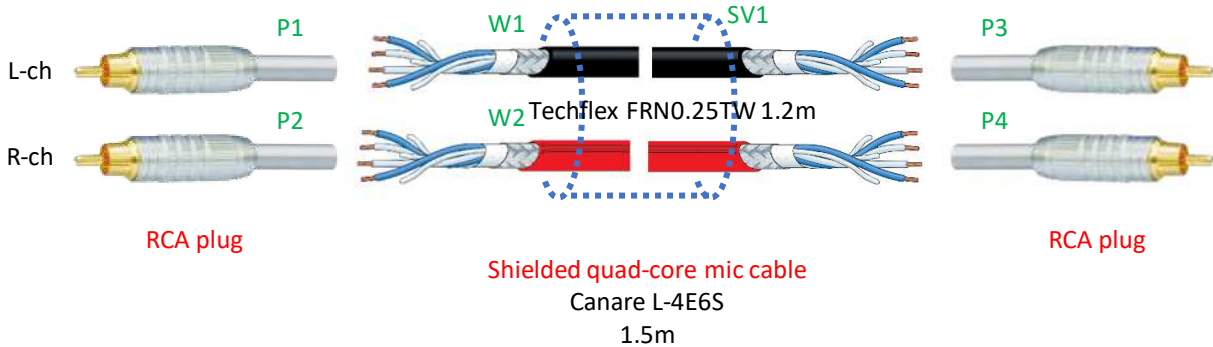
LINE CABLES Design

2021/10/26

Design

DAC to Preamp: CB1

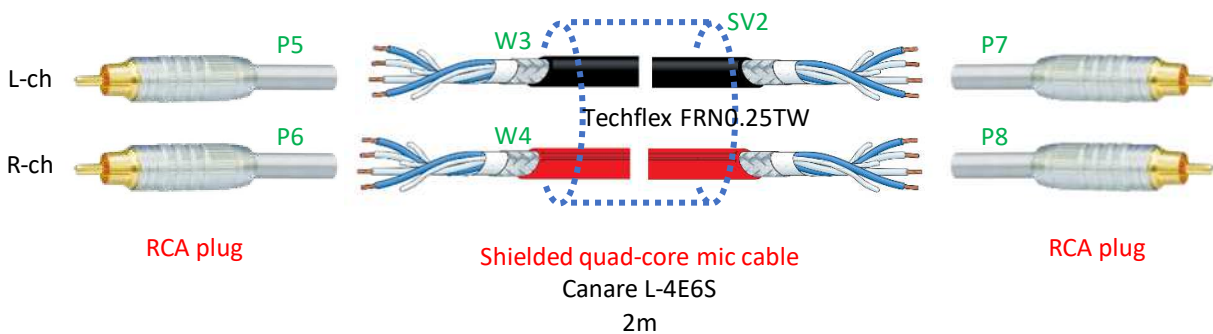
RCA plug <==> RCA plug, unbalanced, 1.5m



DAC				→	Preamp			
P L U G	Hot	<=	Blue	P L U G	=>	Hot	P L U G	
		<=	Blue					=>
	Cold	<=	White		=>	Cold		
		<=	White					=>
		x	Shield					
Cable end	TB1, CT1		<== See 'Assy' sheet ==>	TB2, CT2		Cable end		

Preamp to DAR: CB2

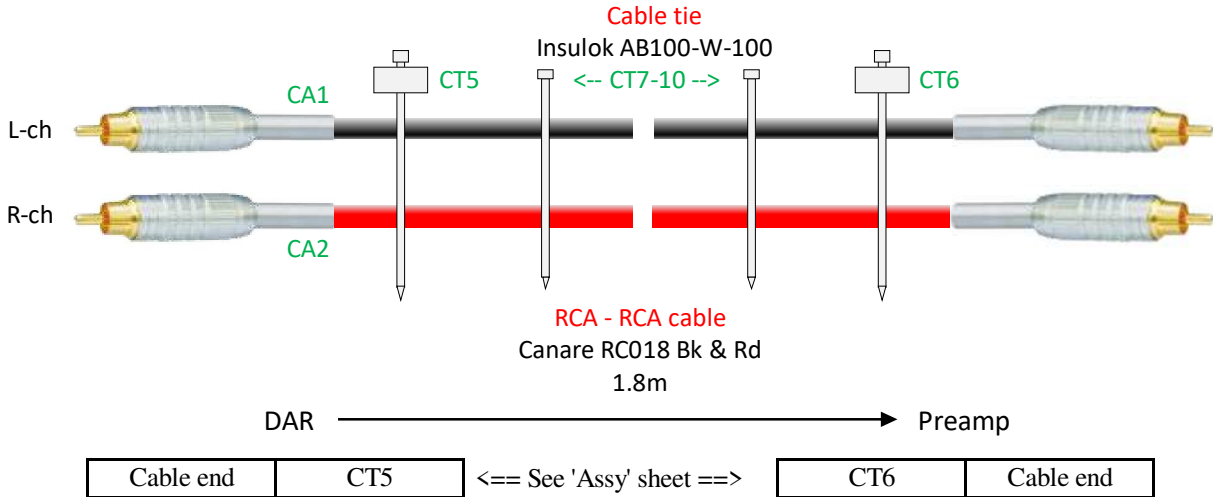
RCA plug <==> RCA plug, unbalanced, 2m



Preamp				→	DAR			
P L U G	Hot	<=	Blue	P L U G	=>	Hot	P L U G	
		<=	Blue					=>
	Cold	<=	White		=>	Cold		
		<=	White					=>
		x	Shield					
Cable end	TB3, CT3		<== See 'Assy' sheet ==>	TB4, CT4		Cable end		

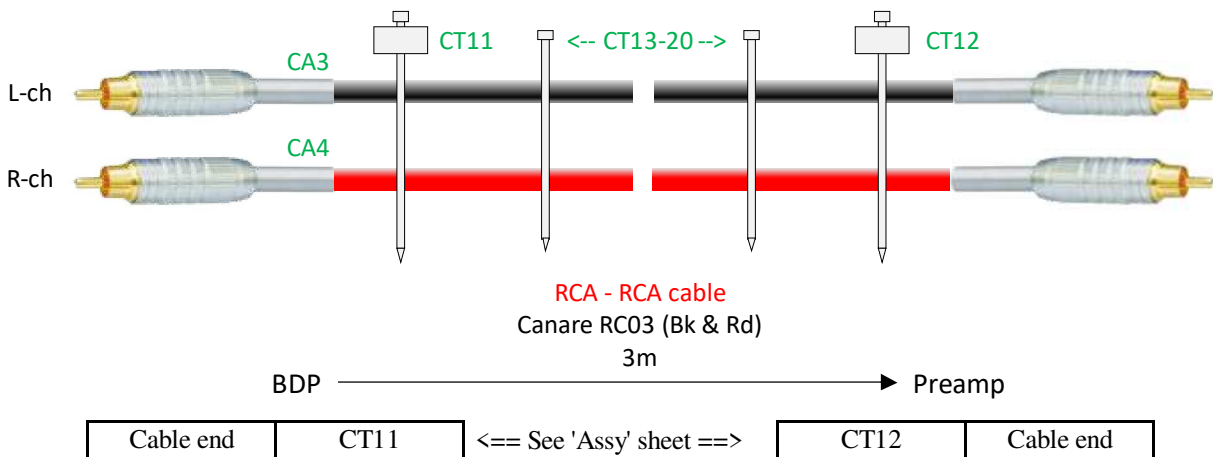
DAR to Preamp: CB3

RCA plug <==> RCA plug, unbalanced, 1.8m



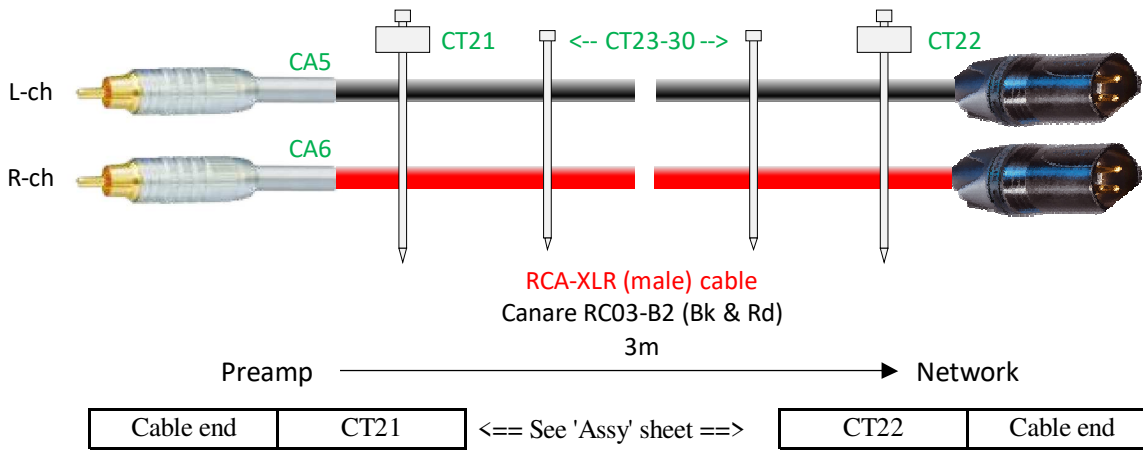
BDP to Preamp: CB4

RCA plug <==> RCA plug, unbalanced, 3m



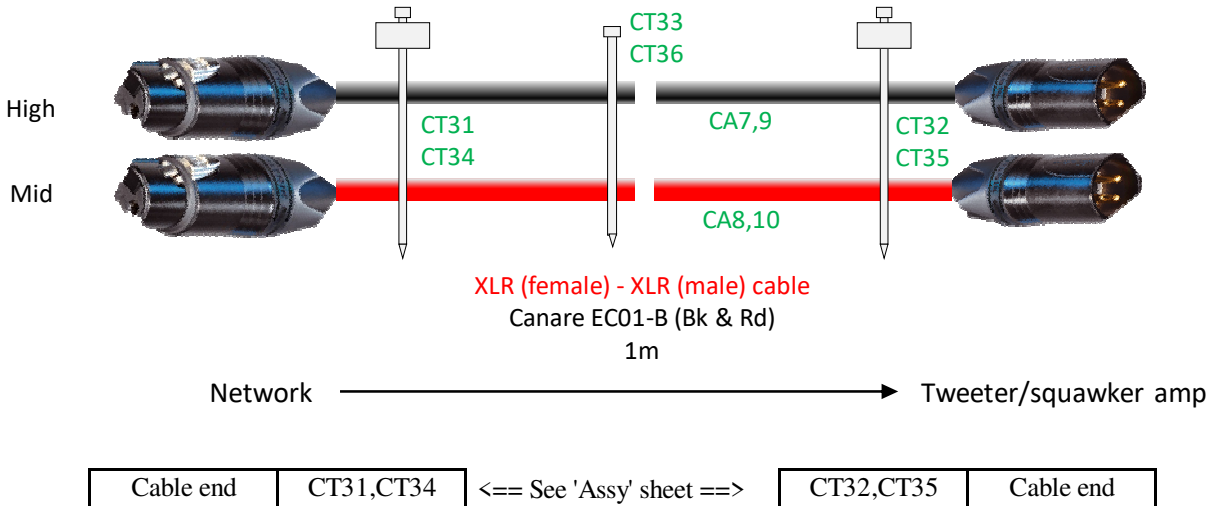
Preamp to Network: CB5

RCA plug <==> XLR plug, unbalanced, 3m



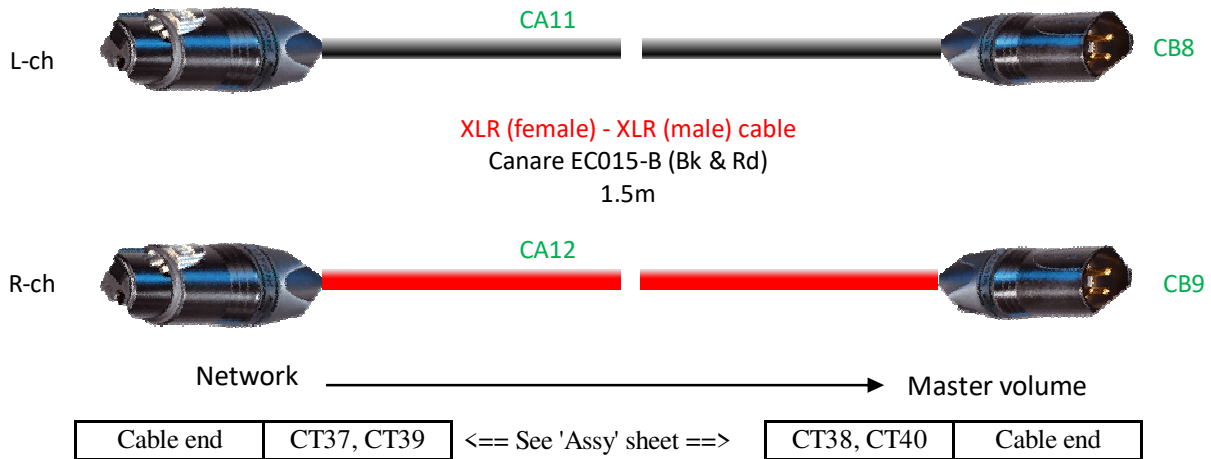
Network to Tweeter/Squawker Amp: CB6, CB7

XLR jack <==> XLR plug, balanced, 1m, 2 pairs



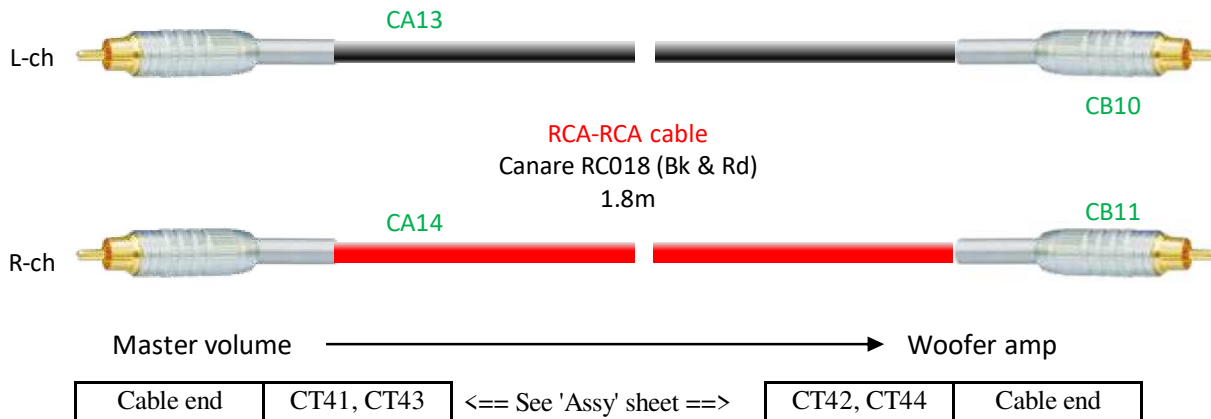
Network to Master Volume: CB8, CB9

XLR jack <==> XLR plug, balanced, 1.5m



Master Volume to Woofer Amp: CB10, CB11

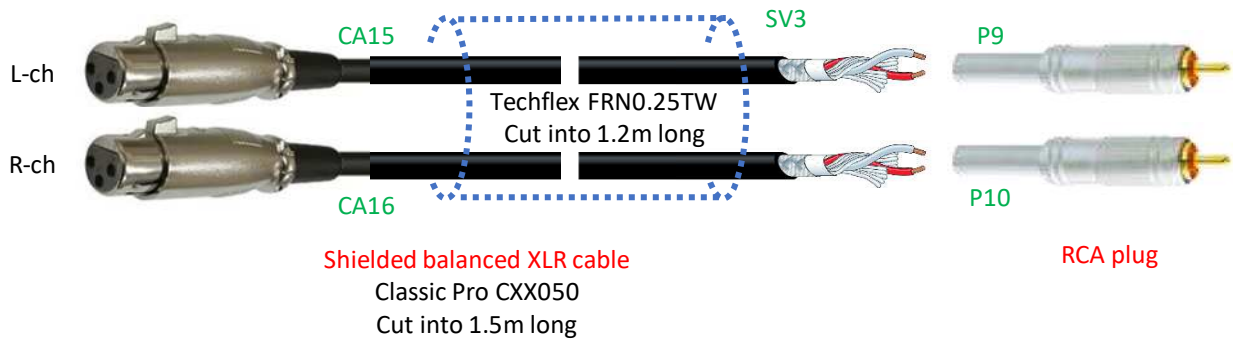
RCA plug <==> RCA plug, unbalanced, 1.8m



Network to Tweeter Amp: CB12

XLR jack <==> RCA plug, unbalanced, 1.5m

This cable is for temporary use.



Network → Tweeter amp

J A C K	2. Hot	<=	Red
	3. Cold		(open)
	1. GND	<=	Shield
Cable end		TB5, CT41	

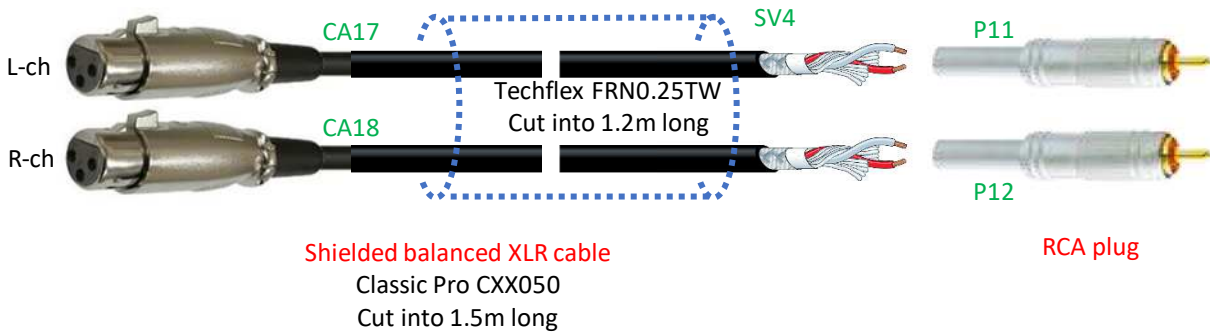
<== See 'Assy' sheet ==>

Red	=>	Hot	P L U G
White	=>	Cold	
Shield	=>		
TB6, CT42		Cable end	

Network to Squawker Amp: CB13

XLR jack <==> RCA plug, unbalanced, 1.5m

This cable is for temporary use.



Network → Squawker amp

J A C K	2. Hot	<=	Red
	3. Cold		(open)
	1. GND	<=	Shield
Cable end		TB7, CT43	

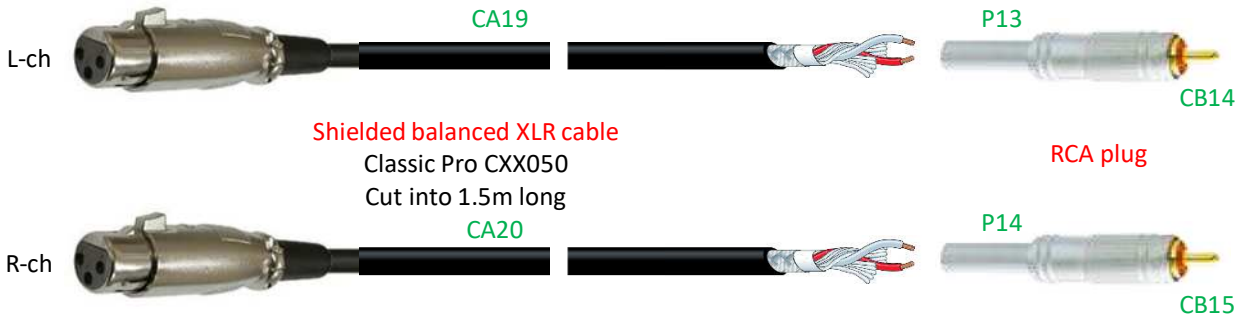
<== See 'Assy' sheet ==>

Red	=>	Hot	P L U G
White	=>	Cold	
Shield	=>		
TB8, CT44		Cable end	

Network to Woofer Amp: CB14, CB15

XLR jack <==> RCA plug, unbalanced, 1.5m

This cable is for temporary use.



Network → Woofer amp

J A C K	2. Hot	<=	Red
	3. Cold		(open)
	1. GND	<=	Shield
Cable end		CT45, CT47	

<== See 'Assy' sheet ==>

Red	=>	Hot	P L U G
White	=>	Cold	
Shield	=>		
CT46, CT48		Cable end	

[END OF DOCUMENT]